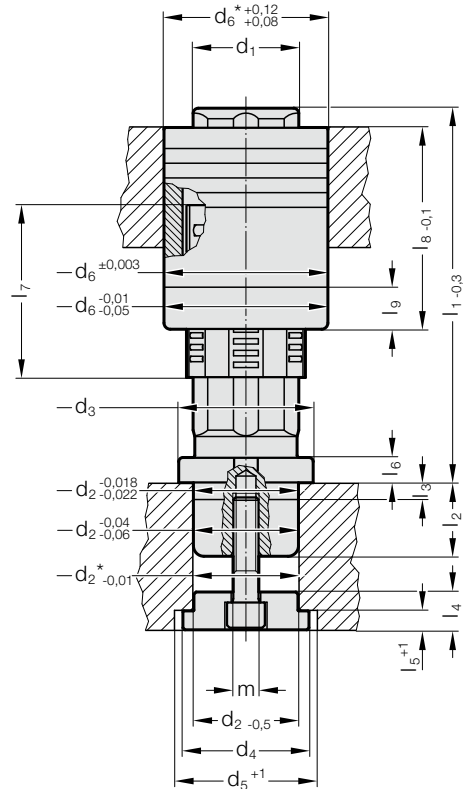


# GUIDE UNIT WITH COLLAR MILLION GUIDE



2024.94.



## Description:

FIBRO Million Guide guide units are used wherever rigidity, robustness and a precision guide function is required.

The large supporting surface of the needle rollers ensures these properties.

For stroke speeds up to 50 m/min and temperatures up to 80°C.

## Material:

Needle roller cage: Plastic

Needle rollers: Steel, hardened

Guide bush: Tool steel alloy, hardened,  
60 ± 2 HRC

Guide pillar: Tool steel alloy, hardened,  
60 ± 2 HRC

Disk: Steel

## Execution:

Guide unit consisting of a paired guide pillar and guide bush, needle roller cage and disk for fixing the guide pillar. The fixing screw (2192.10./12.) is ordered separately as the screw required depends on the thickness of the base plate.

Guide pillar and bushes are executed at:

ø 16 with 4 running surfaces

ø 12, ø 20 - ø 60 with 6 running surfaces

ø 80 with 8 running surfaces

## Note:

Install guide unit in accordance with the instructions.

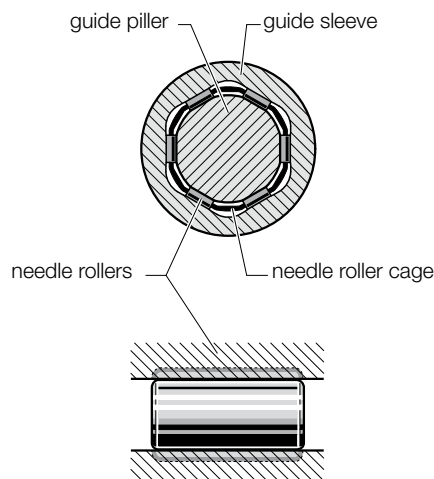
Guide bush must be bonded.

\* Mounting bore

Only the needle roller cage part is replaceable.

For order number for needle roller cage spare part, see table.

Cross section of guide unit



# GUIDE UNIT WITH COLLAR MILLION GUIDE

## 2024.94. Guide unit with collar MILLION GUIDE

d <sub>1</sub>	12	16	20	25	32	40	50	60	80
d <sub>2</sub>	12	16	20	25	32	40	50	60	80
d <sub>3</sub>	18	24	29	35	42	54	64	74	98
d <sub>4</sub>	16	22	26	32	40	50	60	72	105
d <sub>5</sub>	18	24	28	34	40	50	60	72	105
d <sub>6</sub>	23	30	37	44	54	68	78	95	120
m	M5x8	M6x10	M8x20	M8x20	M10x25	M12x30	M12x30	M14x30	M16x30
l <sub>2</sub>	12	16	20	25	30	35	35	42	45
l <sub>3</sub>	6	6	8	8	8	8	8	15	15
l <sub>4</sub>	7	10	13	13	16	18	18	20	26
l <sub>5</sub>	3	4	5	5	7	9	9	12	13
l <sub>6</sub>	5	6	8	8	9	10	12	15	15
l <sub>7</sub>	29.8	30	52	62	68	78	82	116	132
l <sub>8</sub>	40	40	60	70	78	92	96	120	145
l <sub>9</sub>	-	-	20	20	20	20	20	20	25

Order no.

Needle roller cage	2024.94.012	2024.94.016	2024.94.020	2024.94.025	2024.94.032	2024.94.040	2024.94.050	2024.94.060	2024.94.080
--------------------	-------------	-------------	-------------	-------------	-------------	-------------	-------------	-------------	-------------

l <sub>1</sub>									
50	●								
60	●								
70	●								
80	●	●	●						
90	●	●	●						
100	●	●	●	●	●				
110	●	●	●	●	●				
120	●	●	●	●	●	●			
130		●	●	●	●	●			
140				●	●	●			
150				●	●	●	●	●	
160				●	●	●	●	●	
170					●	●	●	●	
180					●	●	●	●	●
190					●	●	●	●	●
200					●	●	●	●	●
210						●	●	●	●
220						●	●	●	●
230							●	●	●
240							●	●	●
250							●	●	●
260									●
270									●
280									●

### Ordering Code (example):

Guide unit with collar MILLION GUIDE	=2024.94.
Diameter of conduit d <sub>1</sub>	32 mm = 032.
Guide length l <sub>1</sub>	100 mm = 100
Order No	=2024.94. 032. 100