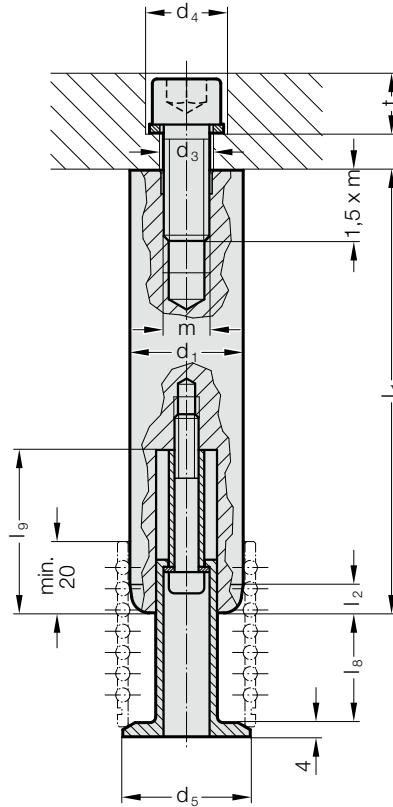


GUIDE PILLAR ENDWISE BOLT-ON TYPE WITH BALL CAGE, ~DIN 9825/~ISO 9182-2



202.55.



Material:

Steel, (Core strength: $\geq 900 \text{ N/mm}^2$) surface hardened
Surface hardness: $60 + 3 \text{ HRC}$, Hardness penetration $\geq 1,8 \text{ mm}$

Execution:

fine precision ground
End face square within 0.005 mm in 100 mm

Note:

Preloading see pairing classification at the beginning of chapter D

Matching guide combinations, see selection matrix at the beginning of chapter D.

Dimensions of ball cage retainer see 202.91.

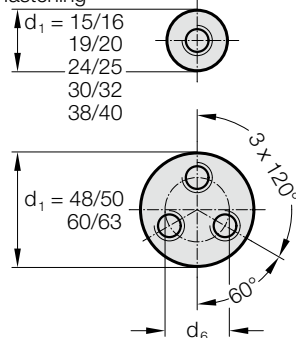
Tolerance range:

yellow = .10

green = .20

red = .30

Hole pattern for column (pillar) fastening



GUIDE PILLAR ENDWISE BOLT-ON TYPE WITH BALL CAGE, ~DIN 9825/~ISO 9182-2

202.55. Guide pillar endwise bolt-on type with ball cage, ~DIN 9825/~ISO 9182-2

d ₁	38	40	48	50	60	63
d ₃	18	18	14	14	18	18
d ₄	28	28	22	22	28	28
d ₅	42	44	52	54	64	67
d ₆	0	0	28	28	34	34
t	20.5	20.5	16	16	20.5	20.5
m	16	16	12	12	16	16
Screw	M16x40	M16x40	M12x50	M12x50	M16x60	M16x60
Tightening torque [Nm]	150	150	85	85	200	200
KG (l ₈ / l ₉)						
1 (31/46)	●	●	●	●	●	●
2 (41/56)	●	●	●	●	●	●
3 (51/66)	●	●	●	●	●	●
4 (61/76)	●	●	●	●	●	●
5 (73/89)	●	●	●	●	●	●
l ₁						
160	●	●				
180	●	●	●	●		
200	●	●	●	●		
224	●	●	●	●		
250	●	●	●	●	●	●
280	●	●	●	●	●	●
315	●	●	●	●	●	●
355	●	●	●	●	●	●
400	●	●	●	●	●	●
450	●	●	●	●	●	●
500	●	●	●	●	●	●
550	●	●	●	●	●	●
600	●	●	●	●	●	●
700	●	●	●	●	●	●
800	●	●	●	●	●	●

Ordering Code (example):

Guide pillar endwise bolt-on type with ball cage,
~DIN 9825/~ISO 9182-2

= 202.55.

Diameter of conduit d₁ 48 mm = 048.

Length l₁ 550 mm = 550.

Cage unit size KG 1 = 1.

Classification TOL yellow = 10

Order No = 202.55. 048. 550. 1. 10