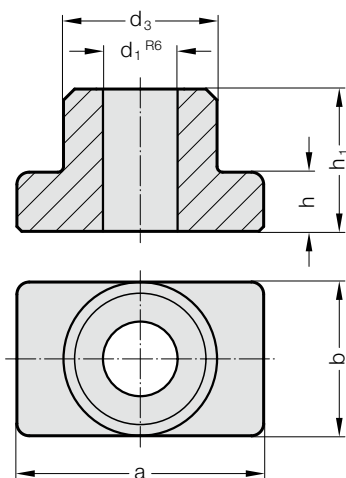


# RETENTION BEARING

2031.01.



**Material:**

Special cast iron

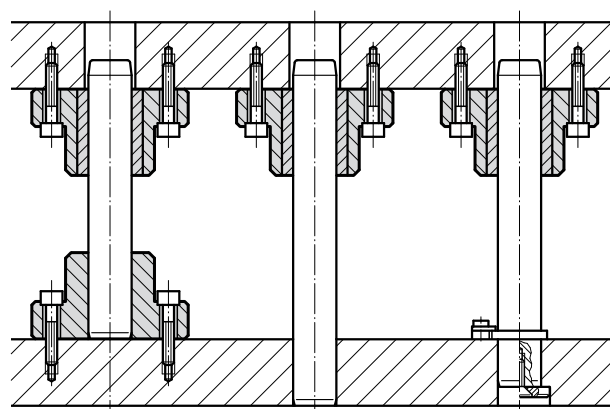
**Execution:**

Face and top machined. Hole fine bored to  $d_1^{R6}$  fit.

**Note:**

Check squareness of pillars after press-fitting.

**Mounting example**



**2031.01. Retention bearing**

$d_1$	15 16	19 20	24 25	30 32	38 40	48 50	60 63	80
$d_3$	35	45	50	65	80	96	110	130
$a$	70	85	90	115	130	160	180	215
$b$	35	45	50	65	80	96	110	130
$h$	18	18	22	25	30	35	35	40
$h_1$	30	37	47	60	77	95	120	120

**Ordering Code (example):**

Retention bearing = 2031.01.  
 Diameter of conduit  $d_1$  32 mm = 032  
 Order No = 2031.01. 032