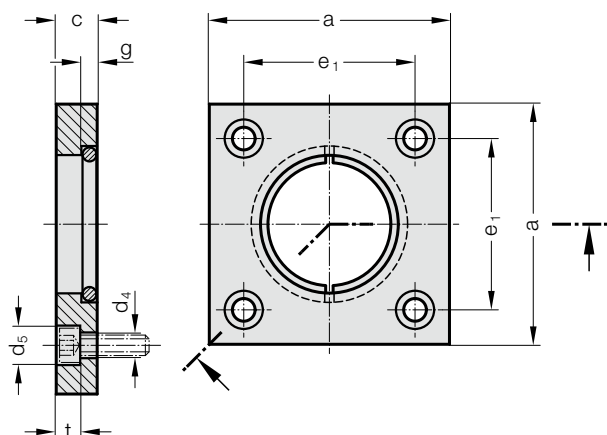


## CLAMPING FLANGE WITH RETAINING RING, ~AFNOR

2073.46.



### Material:

Clamping flange: Steel

Retaining ring: Spring steel wire

### Note:

For fixing the guide pillar 2022.25.

Order No. for reordering retaining ring: 2073.46.□□□.2

### 2073.46. Clamping flange with retaining ring, ~AFNOR

Order No	Pillar- $\phi$ $d_1$	$d_4$	$d_5$	$a$	$c$	$g$	$e_1$	$t$
2073.46.025	25	6.6	11	45	10	2.7	31	7
2073.46.032	32	6.6	11	56	10	4.2	36	7
2073.46.040	40	6.6	11	70	12	4.2	50	7
2073.46.050	50	9	15	80	14	4.2	55	9
2073.46.063	63	11	18	100	18	6.2	70	11
2073.46.080	80	13.5	20	110	20	6.2	80	13
2073.46.100	100	13.5	20	140	20	6.2	100	13