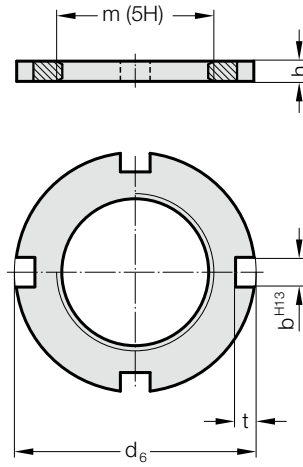


# SLOTTED NUT



207.48.



**Material:**

Steel

**Note:**

For fixing the guide bushes 210.45. and 210.85.

**207.48. Slotted nut**

Order No	$d_6$	b	t	h	m
207.48.016	40	5	3	3	M27 x 1
207.48.020	44	5	4	4	M30 x 1
207.48.025	55	6	4	4	M39 x 1
207.48.032	65	6	5	5	M48 x 1
207.48.040	81	7	6	6	M60 x 1
207.48.050	100	8	8	8	M76 x 1