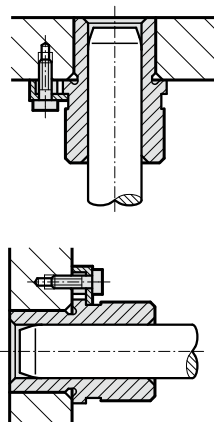
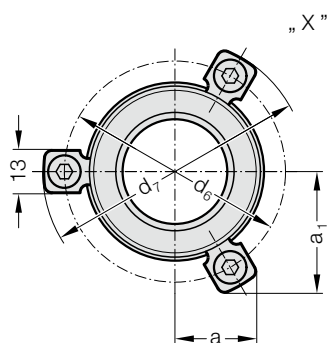
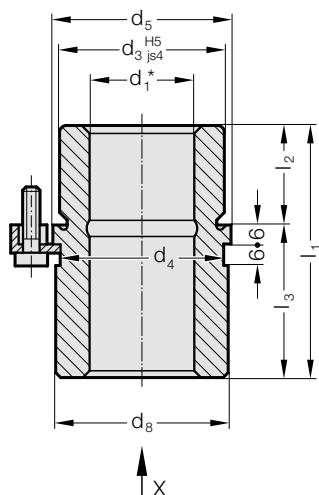


HEADED GUIDE BUSH, SINTERED FERRITE CARBONITRIDED WITH LONG-TERM LUBRICATION, ISO 9448-6

2081.34.

Mounting example



Material:

Sintered ferrite of high purity, carbonitrided, long-term lubrication

Execution:

Bearing surfaces and outside diameter precision ground.

Note:

The attachment is with 3 Screw clamp, from $\varnothing d_1 = 38$ with 4 Screw clamp, which are included in delivery (Order No: 207.45 - Screw clamp incl. socket cap screw DIN 6912, Head $\varnothing 13$).

☞ Notes on sliding type guides at the beginning of chapter D.

*☞ Bearing clearance see pairing classification at the beginning of chapter D.

☞ Matching guide combinations, see selection matrix at the beginning of chapter D.

☞ Assembly guide lines / Dimensional requirements and tolerances at the end of chapter D.

Tolerance range:

yellow = .10

green = .20

red = .30

2081.34. Headed guide bush, sintered ferrite carbonitrided with long-term lubrication, ISO 9448-6

d_1	19 20	24 25	30 32	38 40	48 50	60 63
d_3	32	40	48	58	70	85
d_4	32	40	48	58	70	85
d_5	40	48	56	66	80	95
d_6	52	60	67	77	91	106
d_7	64.7	72.7	79.7	89.7	103.7	118.7
d_8	39	46	53	63	77	92
a	20.7	22.65	24.4	35.3	40.2	45.5
a_1	30	33.4	36.4	35.3	40.2	45.5
l_1	43	59	75	82	97	116
l_2	23	23	30	37	47	60
l_3	20	36	45	45	50	56

Ordering Code (example):

Headed guide bush, sintered ferrite carbonitrided with long-term lubrication, ISO 9448-6

= 2081.34.

Diameter of conduit d_1 38 mm = 038.

Classification TOL yellow = 10

Order No = 2081.34. 038. 10