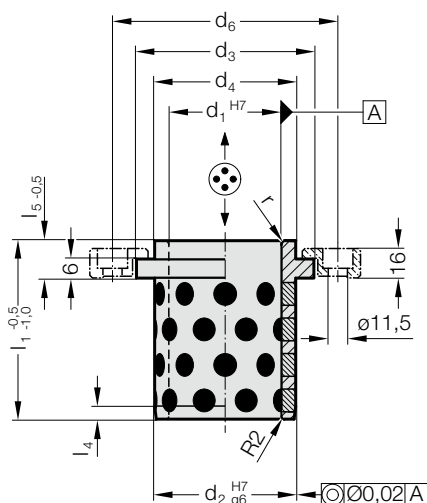


GUIDE BUSH WITH COLLAR, BRONZE WITH SOLID LUBRICANT, NAAMS

2082.71.



Material:

Bronze with solid lubricant, oilless lubricating

Note:

☞ Matching guide combinations, see selection matrix at the beginning of chapter D.

☞ Assembly guide lines / Dimensional requirements and tolerances at the end of chapter D.

Fixing:

(to be ordered separately)

Screw clamps with screws 2072.46 (M10 x 20 DIN EN ISO 4762)

Attention:

Bushes can only be used with axial motion!

2082.71. Guide bush with collar, Bronze with solid lubricant, NAAMS

d ₁	25	32	40	50	63	80	100	125
d ₂	32	40	50	63	80	100	125	160
d ₃	40	50	63	71	90	112	140	180
d ₄	32	40	50	63	80	100	125	160
d ₆	75	83	93	106	123	143	168	203
l ₁	40	50	63	71	80	100	125	160
l ₄	3	4	5	6.3	8	10	12.5	16
l ₅	10	10	13	15	17	20	19	28
r	3	3	3	5	6	8	10	12

Ordering Code (example):

Guide bush with collar, Bronze with solid lubricant, NAAMS = 2082.71.
 Diameter of conduit d₁ 63 mm = 063
 Order No = 2082.71. 063