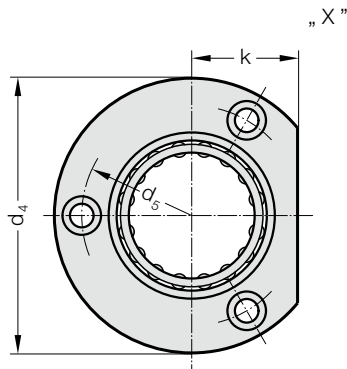
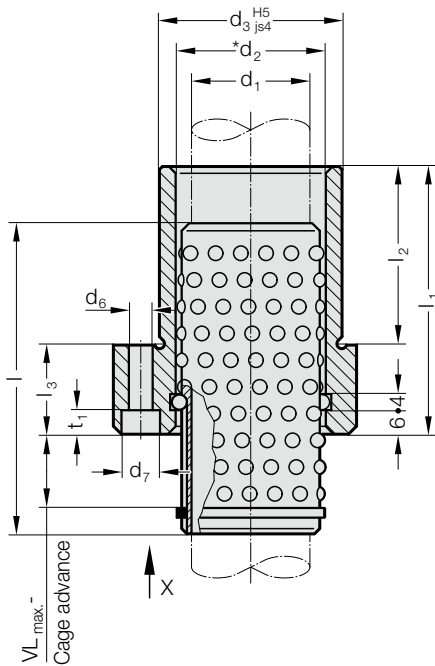


FLANGED GUIDE BUSH WITH BALL CAGE RETAINER

2091.68.



Material:

- Bush: Tool steel
- Hardness: 62 ± 2 HRC
- Cage: Aluminium
- Balls: Steel hardened (DIN 5401)

Note:

Ball cage position - please specify the required cage advance with order. FIBRO Ball Cage Retainers ensure optimum starting position of ball cages on inverted die sets - even if pillars retract from guide bushes. The application determines the cage advance. Note that cage travel is half the stroke length.

In this context it is of importance to note the minimum constructional length.

The cage advance should be chosen so that during normal operation of the tool, optimum position is achieved.

- * Preloading see pairing classification at the beginning of chapter D
- Matching guide combinations, see selection matrix at the beginning of chapter D.

Tolerance range:
 yellow = .10
 green = .20
 red = .30

2091.68. Flanged guide bush with ball cage retainer

d ₁	19 20	24 25	30 32	38 40	48 50	60 63	80
d ₂	25 26	30 31	38 40	46 48	56 58	68 71	92
d ₃	32	40	48	58	70	85	105
d ₄	50	63	72	85	104	120	148
d ₅	40	50	58	70	86	100	125
d ₆	4.5	5.5	5.5	6.6	9	9	11
d ₇	8	10	10	11	15	15	18
t ₁	4.6	5.7	5.7	6.8	9	9	11
k	18	23	28	33	38	46	56
l ₁	52	62	72	77	102	102	125
l ₂	37	37	47	47	60	60	75
l ₃	15	25	25	30	42	42	50
l	72	72	80	95	105	120	140
VL _{max.}	49	44	44	51	51	52	54

Ordering Code (example):

Flanged guide bush with ball cage retainer	=	2091.68.
Diameter of conduit d ₁	38 mm =	038.
Feed length VL	5 mm =	005.
Classification TOL	yellow =	10
Order No	=	2091.68. 038. 005. 10