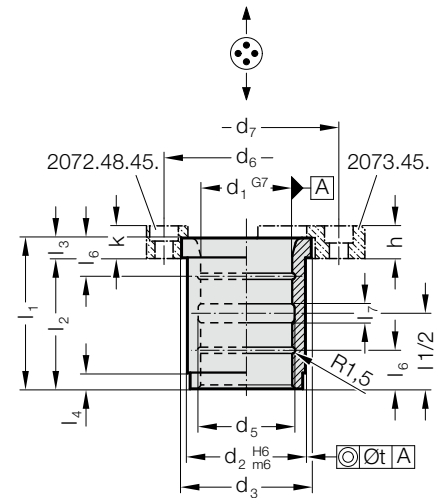


GUIDE BUSH WITH COLLAR, BRONZE, CNOMO



2102.71.



Material:

Bronze

Note:

☞ Matching guide combinations, see selection matrix at the beginning of chapter D.

☞ Assembly guide lines / Dimensional requirements and tolerances at the end of chapter D.

Fixing:

(to be ordered separately)

Screw clamps with screws 2072.48.45. or

Securing flange 2073.45.

Attention:

Bushes can only be used with axial motion!

Note that press fitment reduces inside bush diameter.

2102.71. Guide bush with collar, Bronze, CNOMO

d ₁	20	25	32	40	50	63	80	100
d ₂	28	35	44	52	63	80	100	125
d ₃	32	40	50	60	71	90	112	140
d ₅	22	27	34	42	52	65	82	102
d ₆	-	-	-	75	90	111	133	162
d ₇	48	56	65	82	98	115	144	170
l ₁	32	40	50	63	80	100	125	160
l ₂	28	35	44	55	70	88	109	140
l ₃	4	5	6	8	10	12	16	20
l ₄	3	5	8	8	8	10	10	10
l ₆	-	-	12	16	20	25	32	40
l ₇	5	5	5	8	10	12	16	20
h	10	10	12	12	16	20	25	32
k	-	-	-	12	16	20	25	32
t	0.01	0.01	0.01	0.02	0.02	0.02	0.02	0.02

Ordering Code (example):

Guide bush with collar, Bronze, CNOMO = 2102.71.

Diameter of conduit d₁ 50 mm = 050

Order No = 2102.71. 050