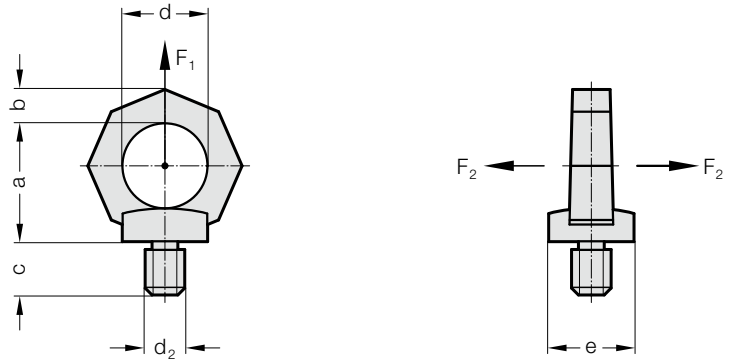


# LIFTING EYE BOLT, HIGH TENSILE



2131.10.



## Description:

During use check that the eyebolt is firmly seated.  
Rotation during the lifting operation must be avoided.  
It will not rotate automatically to the correct load angle.  
Not approved for mining applications.

## Material:

1.6541, heavy duty heat treated.  
100% electromagnetically crack tested, to EN 1677-1, safety factor 4:1.

## Note:

Ensure that the bolting surface is flat. Thread must be screwed in completely.  
Form: = octagonal, Grade 8  
Identification: clear indication of permissible load for F<sub>2</sub> category critical loads (not permissible for DIN 580)

## 2131.10. Lifting eye bolt, high tensile

Order No	d <sub>2</sub>	c	a	b	d	e
2131.10.006	M6	12	34	11	25	25
2131.10.008	M8	12	34	11	25	25
2131.10.010	M10	15	34	11	25	25
2131.10.012	M12	18	41	13	30	30
2131.10.014	M14	21	48	15	35	35
2131.10.016	M16	24	48	15	35	35
2131.10.020	M20	30	55	17	40	40
2131.10.024	M24	36	70	21	50	50
2131.10.030	M30	45	85	26	60	60
2131.10.036	M36	54	130	43	90	100
2131.10.042	M42	63	130	43	90	100
2131.10.048	M48	67	130	43	90	100

## Max. carried load "G" in tonnes for various types of attachment

Type of attachment/Arrangement of the suspension points	F <sub>1</sub> ↑ G	F <sub>2</sub> ↑ G	G	G	2 symmetrical G	2 asymmetrical G	3 and 4 symmetrical G	3 and 4 asymmetrical G
Number of lines	1	1	2	2	2 symmetrical	2	3 and 4 symmetrical	3 and 4 asymmetrical
Angle of inclination/load direction	0°	90°	0°	90°	0-45° 45-60°	asymmetrical	0-45° 45-60°	asymmetrical
Order No.	carried load in tonnes							
2131.10.006	0,4		0,8					
2131.10.008	0,8		1,6					
2131.10.010	1		2					
2131.10.012	1,6		3,2					
2131.10.014	3		6					
2131.10.016	4		8					
2131.10.020	6		12					
2131.10.024	8		16					
2131.10.030	12		24					
2131.10.036	16		32					
2131.10.042	24		48					
2131.10.048	32		64					

We recommend that you use the eyebolt 2131.11. that is adjustable in the direction of force for the type of suspension with no details of carried loads!