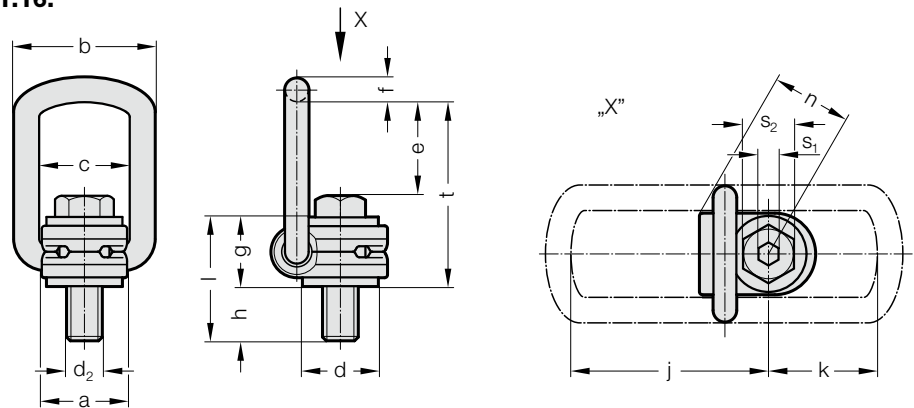


HOISTING SNAP LINK



2131.16.



Description:

The hinged unit is free to rotate through 360°, self-align with the direction of pull and folding. The hoisting Snap Link must be installed in the stress direction before loading, must be able to move freely and may not be supported at an angle.
 Do not rotate under load.
 Full load bearing capacity in any direction.
 Complete with a 100% crack-checked outer and inner hexagonal bolt for universal tool use.

Note:

Ensure even screw-in surface, threads must be screwed in completely.

2131.16. Hoisting snap link

Order No	a	b max.	c	d	e	f	g	h Standard	j	k	l Standard	d ₂	n	s ₁	s ₂	t	Tightening torque [Nm]
2131.16.008.011	30	52	34	24	40	10	29	11	75.3	45	40	M8	32	5	13	75	30
2131.16.010.015	30	52	34	24	39	10	29	15	75.3	45	44	M10	32	6	17	75	60
2131.16.012.018	32	52	34	26	38	10	29	18	77.3	45	47	M12	32	8	19	75	150
2131.16.016.022	34.5	56	38	30	39	13.5	36	22	86.3	47	58	M16	38	10	24	85	150
2131.16.020.032	50	82	54	45	55	17	43	32	113.8	64	75	M20	48	12	30	110	400
2131.16.024.037	50	82	54	45	67	17	43	37	129.8	78	80	M24	48	14	36	125	760
2131.16.030.049	60	103	65	60	67	22.5	61	49	151.3	80	110	M30	67	17	46	147	1000
2131.16.036.063	77	122	82	70	97	26.5	77	63	203.3	113	140	M36	79	22	55	196	800
2131.16.042.073	77	122	82	70	94	26.5	77	73	204.3	113	150	M42	79	24	65	196	1000
2131.16.042.063	95	156	100	85	109	36	87	63	228	130	150	M42	100	24	65	22	1500
2131.16.048.073	95	156	100	95	105	36	87	73	231	130	160	M48	100	27	75	222	2000

Max. carried load "G" in tonnes for various types of attachment

Type of attachment/Arrangement of the suspension points										
Number of lines	1	1	2	2	2 symmetrical	2 asymmetrical	3 and 4 symmetrical	3 and 4 asymmetrical		
Angle of inclination/load direction	0-7°	90°	0-7°	90°	0-45°	45-60°	0-45°	45-60°		
Order No.	carried load in tonnes									
2131.16.008.011	0,63	0,63	1,26	1,26	0,88	0,63	0,63	1,3	0,94	0,63
2131.16.010.015	0,9	0,9	1,8	1,8	1,26	0,9	0,9	1,9	1,35	0,9
2131.16.012.018	1,35	1,35	2,7	2,7	1,9	1,35	1,35	2,8	2	1,35
2131.16.016.022	2	2	4	4	2,8	2	2	4,2	3	2
2131.16.020.032	3,5	3,5	7	7	4,9	3,5	3,5	7,35	5,25	3,5
2131.16.024.037	4,5	4,5	9	9	6,3	4,5	4,5	9,5	6,75	4,5
2131.16.030.049	6,7	6,7	13,4	13,4	9,4	6,7	6,7	14	10	6,7
2131.16.036.063	8	8	16	16	11,2	8	8	16,8	12	8
2131.16.042.073	10	10	20	20	14	10	10	21	15	10
2131.16.042.063	15	15	30	30	21	15	15	31,5	22,5	15
2131.16.048.073	20	20	40	40	28	20	20	42	30	20