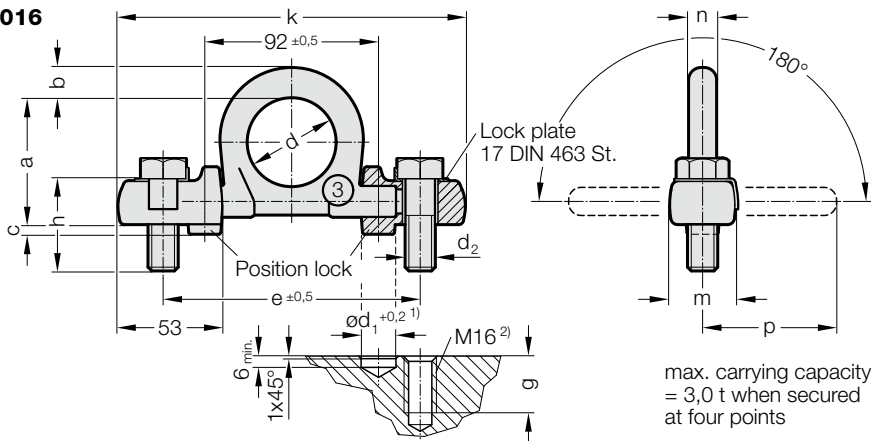


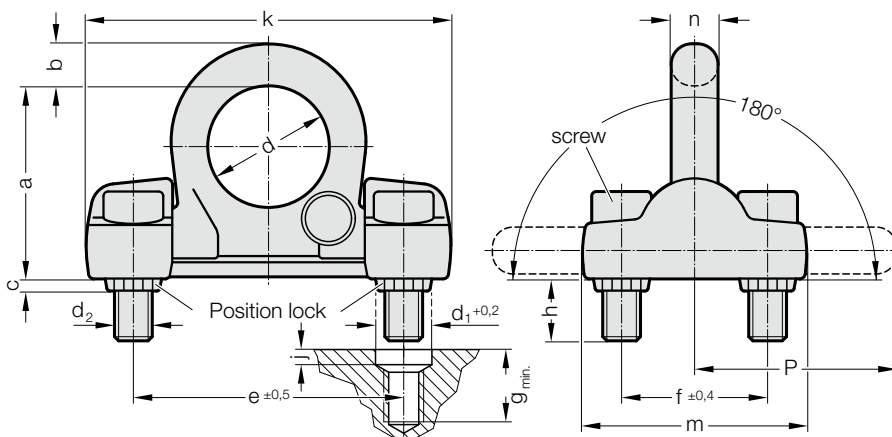
# RING BLOCK WITH POSITION LOCK

2131.22.016



max. carrying capacity = 3,0 t when secured at four points

2131.22.



## Description:

The position locks protect the fixing bolts against bending and shear stresses. The ring can be folded down.

## Note:

- <sup>1)</sup> Drill the holes for the position locks first.
  - <sup>2)</sup> Fix the ring block in the position lock and then tap the holes.
- Ensure that the bolting surface is flat.  
See also loading of eyebolts.  
The threaded connection on the transported load must be suitable for transferring forces.

## Fixing:

Only use 100% crack tested bolts.  
Once bolts have been in use for some time, check that they are firmly seated.

Minimum grade of screws, see table: "Y"

2131.22.016.: Only use hexagonal screws to ISO 4014. Fit washers before tightening and securing bolts (tightening torque 120 Nm).

2131.22.020./030.: Use only hexagon socket head screws conforming to ISO 4762 (2131.22.020 tightening torque 300 Nm, 2131.22.030 tightening torque 600 Nm).

## 2131.22. Ring block with position lock

Order No	Rated carrying capacity [t]	d <sub>2</sub>	h	a	b	c	d	d <sub>1</sub>	e	f	g	j	k	m	n	y	p
2131.22.016	3	M16	50	67	16	5	48	18	136	-	30	-	178	34	16	10.9	71
2131.22.020	10	M20	45	102	22	6	65	30	143	78	50	8	213	120	25	12.9	100
2131.22.030	16	M30	63	131	30	8	90	46	198	104	70	10	270	170	32	12.9	134

## Max. carried load "G" in tonnes for various types of attachment

Type of attachment/Arrangement of the suspension points	F <sub>3</sub> ↑ G	F <sub>1</sub> (F <sub>2</sub> ) ↑ G	G	G	G	G	G	G	G	G	G	G	G	G	G	G	G
Number of lines	1	1	2	2	2 symmetrical	2	3 and 4 symmetrical	3 and 4									
Angle of inclination/load direction	0-7°	90°	0-7°	90°	0-45°	45-60°	asymmetrical	0-45°	45-60°	asymmetrical							
Order No.	Thread	carried load in tonnes															
2131.22.016	2 × M16	3	3	6	6	4,2	3	3	6,3	4,5	3						
2131.22.020	4 × M20	10	10	20	20	14	10	10	21	15	10						
2131.22.030	4 × M30	16	16	32	32	22,4	16	16	33,6	24	16						