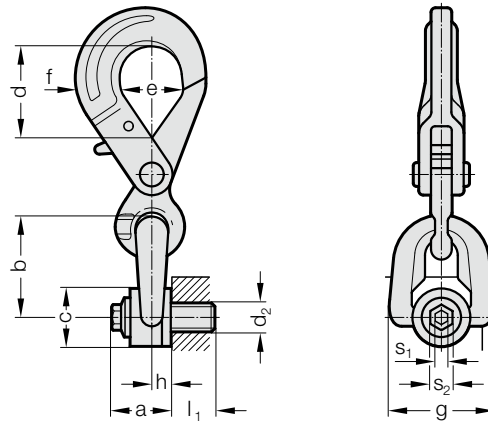


DOUBLE VORTICE HOOK



2131.36.



Description:

The double vortice rings with double bearing mount for smooth tipping, turning and flipping.
 Also turnable 90° for screw-in direction under full load.
 Not suitable for continuous turning movement under full load.
 The optimised design prevents damage to lifting tackle and the valuable load when turning.
 For ring assembly, round slings, wire ropes, hook assemblies, etc.

Material:

High-strength chrome-nickel alloyed Q & T steel,
 Screws: high-strength screws, min. strength category 10.9, 100 % crack inspected

Note:

Ensure even screw-in surface, threads must be screwed in completely.
 Safety factor 5

2131.36. Double vortice hook

Order No	Rated carrying capacity [t]	a	d ₂	l ₁	s ₁	s ₂	b	c	d	e	f	g	h	Tightening torque [Nm]
2131.36.008	0.4	33	M8	15	8	16	56	30	44	32	23	58	9.5	6
2131.36.010	0.7	33	M10	18	8	16	56	30	44	32	23	58	9.5	10
2131.36.012	1.05	33	M12	21	8	16	56	30	44	32	23	58	9.5	15
2131.36.014	1.4	45	M14	23	8	20	81	45	65	46	29	79	13	30
2131.36.016	2	45	M16	27	8	20	81	45	65	46	29	79	13	50
2131.36.018	2.3	45	M18	27	8	20	81	45	65	46	29	79	13	70
2131.36.020	2.5	45	M20	30	8	20	81	45	65	46	29	79	13	100

Max. carried load "G" in tonnes for various types of attachment

Type of attachment/Arrangement of the suspension points								
Number of lines	1	1	2	2	2 symmetrical	4 symmetrical	2 asymmetrical	3 and 4 asymmetrical
Angle of inclination/load direction	0°	90°	0°	90°	0-45°	45-60°	0-45°	45-60°
Order No.	carried load in tonnes							
2131.36.008	0,4	0,4	0,8	0,8	0,56	0,4	0,84	0,4
2131.36.010	0,7	0,7	1,4	1,4	0,98	0,7	1,47	0,7
2131.36.012	1,05	1,05	2,1	2,1	1,47	1,05	2,21	1,05
2131.36.014	1,4	1,4	2,8	2,8	1,96	1,4	2,94	1,4
2131.36.016	2	2	4	4	2,8	2	4,2	2
2131.36.018	2,3	2,3	4,6	4,6	3,22	2,3	4,83	2,3
2131.36.020	2,5	2,5	5	5	3,5	2,5	5,25	2,5