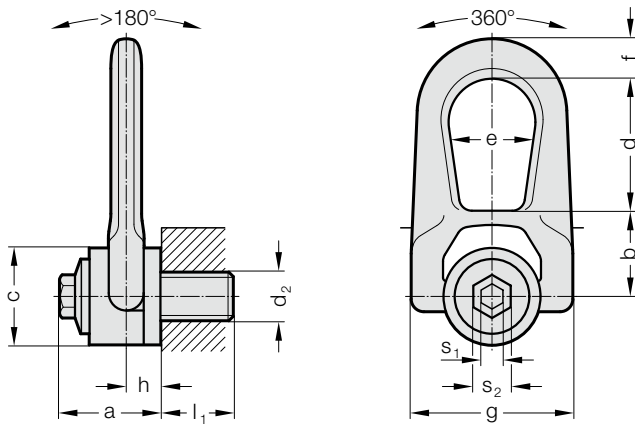


DOUBLE VORTICE RING

2131.37.



Description:

The double vortex ring was especially designed to guarantee lifting under rotation.

Its double joint permits a perfect alignment for load suspension.

Material:

High-strength chrome-nickle alloyed Q & T steel,

Screws: high-strength screws, min. strength category 10.9, 100 % crack inspected

Note:

Ensure even screw-in surface, threads must be screwed in completely.

The threaded connection on the transport belt must be suitable for the force transmission.

Each attachment point is provided with an individual serial number

Information about installation and removal, see operating instructions.

Load capacity according to operating instructions or load capacity table in the specified directions of pull.

When selecting the arrangement, make sure that unequal loading does not occur, e.g. if:

- no free adjustment is possible in the direction of pull
- direction of pull does not lie in the specified range

Safety factor 4

2131.37. Double vortice ring

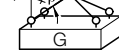
Order No	Rated carrying capacity [t]	a	d ₂	l ₁	s ₁	s ₂	b	c	d	e	f	g	h	Tightening torque [Nm]
2131.37.005	0.1	33	M5	15	8	16	30	30	38	27	14	53	9.5	3
2131.37.006	0.2	33	M6	15	8	16	30	30	38	27	14	53	9.5	4
2131.37.008	0.5	33	M8	15	8	16	30	30	38	27	14	53	9.5	6
2131.37.010	0.9	33	M10	18	8	16	30	30	38	27	14	53	9.5	10
2131.37.012	1.3	33	M12	21	8	16	30	30	38	27	14	53	9.5	15
2131.37.014	1.8	45	M14	23	8	20	40	45	53	38	17	76	13	30
2131.37.016	2.3	45	M16	27	8	20	40	45	53	38	17	76	13	50
2131.37.018	2.3	45	M18	27	8	20	40	45	53	38	17	76	13	70
2131.37.020	2.5	45	M20	30	8	20	40	45	53	38	17	76	13	100
2131.37.022	4.5	62	M22	33	14	24	55	60	83	55	25	115	19	120
2131.37.024	5.5	62	M24	36	14	24	55	60	83	55	25	115	19	160
2131.37.027	6	62	M27	40	14	24	55	60	83	55	25	115	19	200
2131.37.030	6.3	62	M30	45	14	24	55	60	83	55	25	115	19	250

Max. carried load "G" in tonnes for various types of attachment

Type of attachment/Arrangement of the suspension points

Number of lines

Angle of inclination/load direction



Order No.	carried load in tonnes									
2131.37.005	0,3	0,1	0,6	0,2	0,14	0,1	0,21	0,1	0,1	0,1
2131.37.006	0,4	0,2	0,8	0,4	0,28	0,2	0,42	0,0	0,2	0,2
2131.37.008	1,0	0,5	2,0	1,0	0,7	0,5	1,05	0,5	0,5	0,5
2131.37.010	1,5	0,9	3,0	1,8	1,26	0,9	1,89	0,9	0,9	0,9
2131.37.012	1,5	1,3	3,0	2,6	1,82	1,3	2,73	1,3	1,3	1,3
2131.37.014	2,6	1,8	5,2	3,6	2,52	1,8	3,78	1,8	1,8	1,8
2131.37.016	2,8	2,3	5,6	4,6	3,22	2,3	4,83	2,3	2,3	2,3
2131.37.018	2,5	2,3	5,0	4,6	3,22	2,3	4,83	2,3	2,3	2,3
2131.37.020	2,8	2,5	5,6	5,0	3,5	2,5	5,25	2,5	2,5	2,5
2131.37.022	6,0	4,5	12	9,0	6,3	4,5	9,45	4,5	4,5	4,5
2131.37.024	6,5	5,5	13	11	7,7	5,5	11,55	5,5	5,5	5,5
2131.37.027	6,5	6,0	13	12	8,4	6,0	12,6	6,0	6,0	6,0
2131.37.030	6,5	6,3	13	12,6	8,82	6,3	13,23	6,3	6,3	6,3