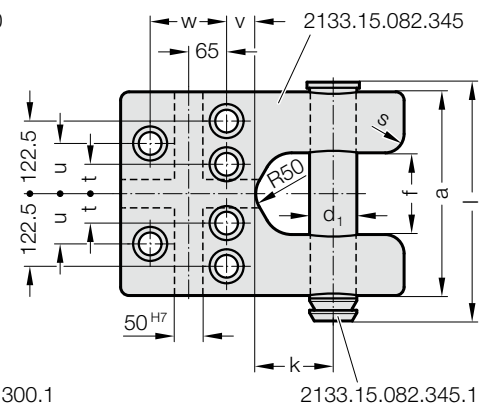
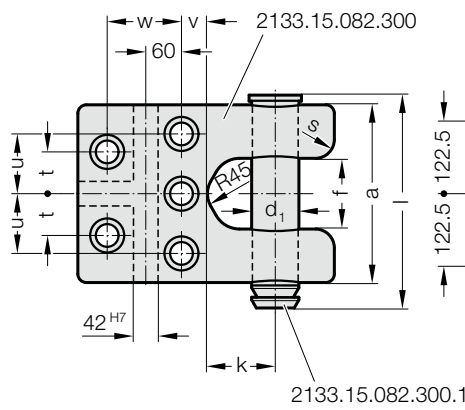
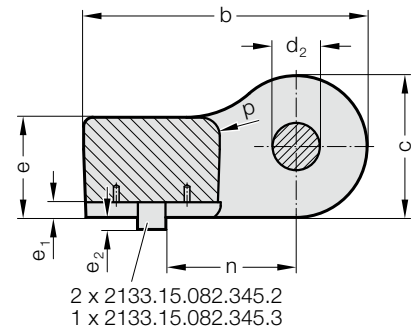
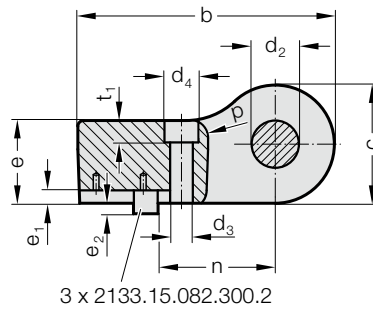


LIFTING FLANGE WITH BOLT WITH SAFETY RING, WITH FEATHER KEY, TO BMW



2133.15.



Note:

Order number of spare part for bolt with safety ring:
2133.15.082.□□□.1

Order number of spare part for feather key:
3x 2133.15.082.300.2 for 2133.15.082.300
2x 2133.15.082.345.2 and 1x 2133.15.082.345.3 for 2133.15.082.345

Order number of lifting flange with bolt and feather key including mounting screws according to BMW norm:
2133.15.0.082.□□□□

2133.15. Lifting flange with bolt with safety ring, with feather key, to BMW

Order No	max. carrying capacity (2 lifting flanges) [kg]*	d ₁	d ₂	a	b	c	e	f	k	l	n	p	s	t	u	v	w	d ₃	d ₄	t ₁	e ₁	e ₂	Socket head cap screw DIN EN ISO 4762
2133.15.082.300	50,000	80	82	300	435	200	140	120	115	360	199	30	30	70	100	45	125	39	58	37	21	19	M36x160
2133.15.082.345	63,000	80	82	345	480	240	170	135	130	405	220	30	30	50	85	50	130	39	58	37	26	22	M36x200

*The maximum permissible load capacity is to be calculated such that two lifting flanges one their own are capable of carrying or turning the tool.