

CLAMP, STRAIGHT, DIN 6314

CLAMP, STRAIGHT, WITH SETSCREW



Material:

Heat-treated steel, painted

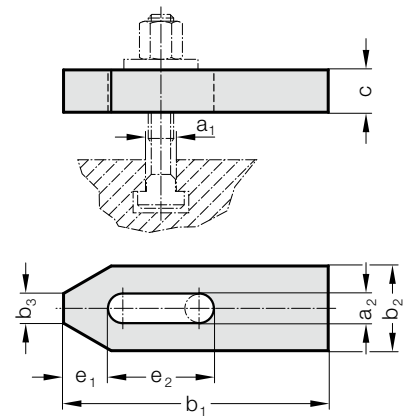
Note:

Holding and contact surfaces are plane-parallel. High clamping forces can be achieved by using high-strength screws conforming to DIN 787. The dimensions of the holding strap should be matched to the strength of the bolts.

Supplied without clamping bolt, suitable clamping bolts: 2140.30.

2140.16.26.250: c = 35 mm, does not conform to DIN

2140.16.



2140.16. Clamp, straight, DIN 6314

| Order No | a ₁ | a ₂ | b ₁ | b ₂ | b ₃ | c | e ₁ | e ₂ |
|----------------|----------------|----------------|----------------|----------------|----------------|----|----------------|----------------|
| 2140.16.09.060 | 8 | 9 | 60 | 25 | 10 | 12 | 13 | 22 |
| 2140.16.11.080 | 10 | 11 | 80 | 30 | 12 | 15 | 15 | 30 |
| 2140.16.14.100 | 12 | 14 | 100 | 40 | 14 | 20 | 21 | 40 |
| 2140.16.14.125 | 12 | 14 | 125 | 40 | 14 | 20 | 21 | 50 |
| 2140.16.18.125 | 16 | 18 | 125 | 50 | 18 | 25 | 26 | 45 |
| 2140.16.18.160 | 16 | 18 | 160 | 50 | 18 | 25 | 26 | 65 |
| 2140.16.22.160 | 20 | 22 | 160 | 60 | 22 | 30 | 30 | 60 |
| 2140.16.22.200 | 20 | 22 | 200 | 60 | 22 | 30 | 30 | 80 |
| 2140.16.26.200 | 24 | 26 | 200 | 70 | 26 | 30 | 35 | 80 |
| 2140.16.26.250 | 24 | 26 | 250 | 70 | 26 | 35 | 35 | 105 |



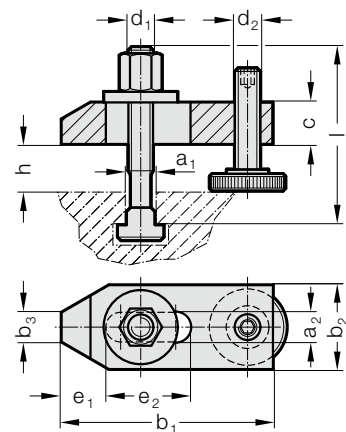
Material:

Heat-treated steel, painted

Note:

Supplied with setscrew and clamping bolt for T grooves conforming to DIN 787 8.8 with nut and washer.

2140.10.



2140.10. Clamp, straight, with setscrew

| Order No | a ₁ | a ₂ | b ₁ | b ₂ | b ₃ | c | d _{1,2} | e ₁ | e ₂ | h* | Clamping bolt d ₁ x a ₁ x l |
|------------|----------------|----------------|----------------|----------------|----------------|----|------------------|----------------|----------------|---------|--|
| 2140.10.10 | 10 | 11 | 80 | 30 | 12 | 15 | M10 | 15 | 30 | 8 - 32 | M10x10x80 |
| 2140.10.12 | 12 | 14 | 100 | 40 | 14 | 20 | M12 | 21 | 40 | 10 - 40 | M12x12x100 |
| 2140.10.14 | 14 | 14 | 100 | 40 | 14 | 20 | M12 | 21 | 40 | 10 - 38 | M12x14x100 |
| 2140.10.16 | 16 | 18 | 125 | 50 | 18 | 25 | M16 | 26 | 45 | 13 - 49 | M16x16x125 |
| 2140.10.18 | 18 | 18 | 125 | 50 | 18 | 25 | M16 | 26 | 45 | 13 - 46 | M16x18x1125 |
| 2140.10.20 | 20 | 22 | 160 | 60 | 22 | 30 | M20 | 30 | 60 | 16 - 65 | M20x20x160 |
| 2140.10.22 | 22 | 22 | 160 | 60 | 22 | 30 | M20 | 30 | 60 | 16 - 65 | M20x20x160 |

*Clamping height depends on the groove depth