

CLAMP, FORKED SHAPE, DIN 6315-B



Material:

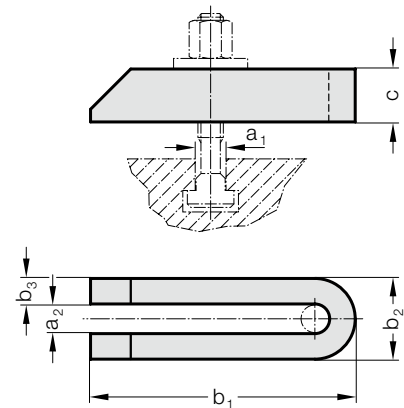
Heat-treated steel, painted

Note:

Holding and contact surfaces are plane-parallel. High clamping forces can be achieved by using high-strength screws conforming to DIN 787. The dimensions of the holding strap should be matched to the strength of the bolts.

Supplied without clamping bolt, suitable clamping bolts: 2140.30.

2140.17.



2140.17. Clamp, forked shape, DIN 6315-B

Order No	a ₁	a ₂	b ₁	b ₂	b ₃	c
2140.17.09.080	8	9	80	25	8	15
2140.17.11.100	10	11	100	31	10	20
2140.17.14.125	12 14	14	125	38	12	25
2140.17.14.160	12 14	14	160	38	12	25
2140.17.14.200	12 14	14	200	38	12	25
2140.17.18.160	16 18	18	160	48	15	30
2140.17.18.200	16 18	18	200	48	15	30
2140.17.18.250	16 18	18	250	48	15	40
2140.17.22.200	20 22	22	200	52	15	40
2140.17.22.250	20 22	22	250	62	20	40
2140.17.22.315	20 22	22	315	62	20	40
2140.17.26.200	24	26	200	66	20	40
2140.17.26.250	24	26	250	66	20	40
2140.17.26.315	24	26	315	66	20	40