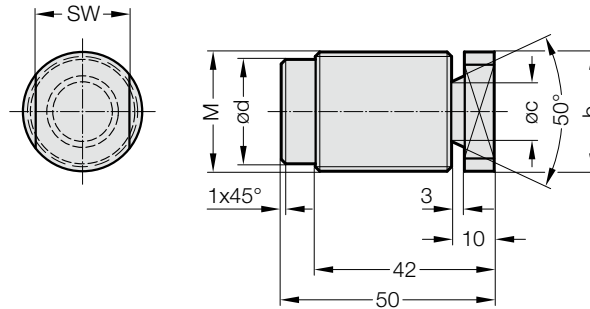


SCREW PLUG



2192.90.



Description:

Repair solution:

Screw plugs are used to seal off defective boreholes, pass-through holes or shrink holes.

Note:

Screw in the screw plug as far as it will go (minimum screw-in length = diameter).

The screw plug can be secured to prevent it becoming loose during reworking by applying, for example, high-strength LOCTITE® (order no. 281.270).

Remove width across flats and protruding thread mechanically.

2192.90. Screw plug

Order No	Material	M	b	c	d	SW
2192.90.1.12.150	C15 (1.0401)	M12x1,5	12	8	8,5	10
2192.90.1.16.150	C15 (1.0401)	M16x1,5	16	10	12,5	12
2192.90.1.20.150	C15 (1.0401)	M20x1,5	20	12	16,5	17
2192.90.1.24.150	C15 (1.0401)	M24x1,5	24	14	20,5	19
2192.90.1.28.150	C15 (1.0401)	M28x1,5	28	14	24,5	22
2192.90.1.30.150	C15 (1.0401)	M30x1,5	30	12	27,4	22
2192.90.1.32.150	C15 (1.0401)	M32x1,5	32	14	28,5	22
2192.90.2.12.150	GG25 (EN-GJL-250)	M12x1,5	12	8	8,5	10
2192.90.2.16.150	GG25 (EN-GJL-250)	M16x1,5	16	10	12,5	12
2192.90.2.20.150	GG25 (EN-GJL-250)	M20x1,5	20	12	16,5	17
2192.90.2.24.150	GG25 (EN-GJL-250)	M24x1,5	24	14	20,5	19
2192.90.2.28.150	GG25 (EN-GJL-250)	M28x1,5	28	14	24,5	22
2192.90.2.30.150	GG25 (EN-GJL-250)	M30x1,5	30	12	27,4	22
2192.90.2.32.150	GG25 (EN-GJL-250)	M32x1,5	32	14	28,5	22