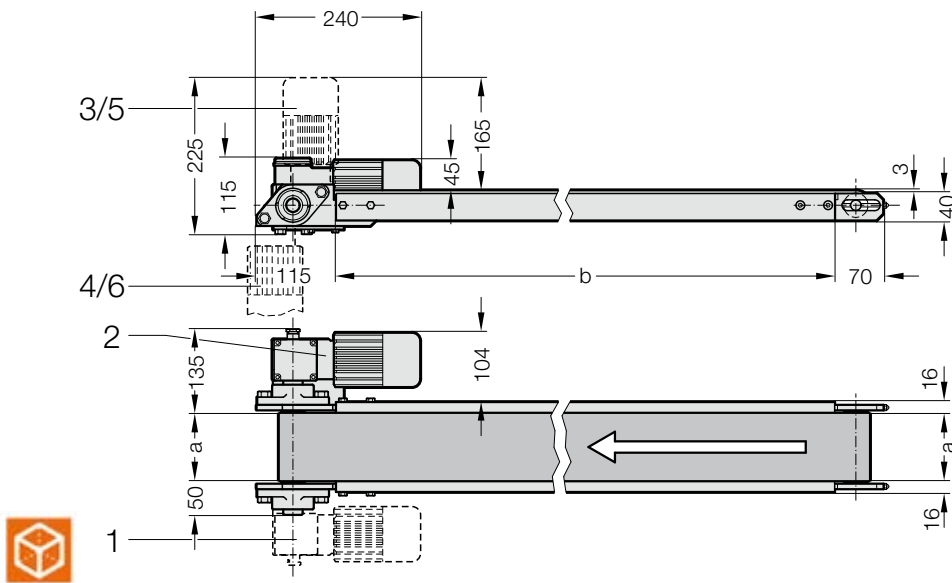


FÖRDERBAND, ELEKTRISCH

2195.401.



2195.401. Förderband, elektrisch

b	500	750	1.000	1.250	1.500	1.750	2.000	2.250	2.500
a									
30	●	●	●	●	●	●	●	●	●
50	●	●	●	●	●	●	●	●	●
75	●	●	●	●	●	●	●	●	●
100	●	●	●	●	●	●	●	●	●
125	●	●	●	●	●	●	●	●	●
150	●	●	●	●	●	●	●	●	●
175	●	●	●	●	●	●	●	●	●
200	●	●	●	●	●	●	●	●	●
225	●	●	●	●	●	●	●	●	●
250	●	●	●	●	●	●	●	●	●
275	●	●	●	●	●	●	●	●	●
300	●	●	●	●	●	●	●	●	●

Bandbelastung:

Bandbreite a	kg je lfd. m
30- 50- 75	5
100-125-150	10
175-200-225	14
250-275-300	17

Weitere Informationen siehe Beschreibung und Bestell-Richtlinien.

Bestell-Beispiel:

Förderband, elektrisch	= 2195.
Typ 401	= 401.
Bandbreite a = 100 mm	= 100.
Nennbandlänge b = 1750 mm	= 1750.
Bandgeschwindigkeit	= 1
Motor 400 V	= 3
Motorlage	= 1
Motorsteuerung	= 1
Bestell-Nr.	= 2195.401.100. 1750. 1 3 1 1