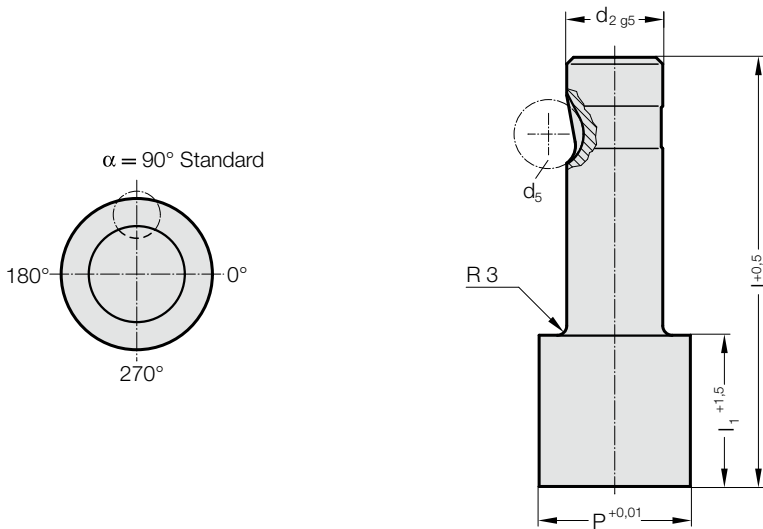


# BALL-LOCK PUNCH, PUNCH LARGER THAN SHAFT, BLANK, HEAVY DUTY

2205.

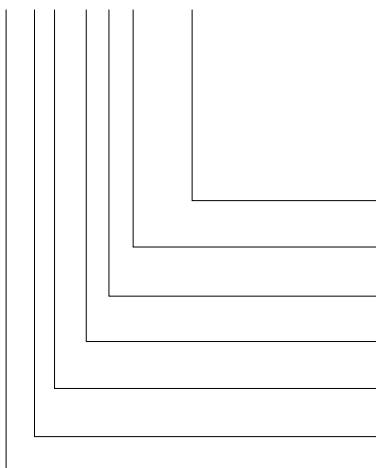


## 2205. Ball-Lock punch, punch larger than shaft, blank, heavy duty

d <sub>2</sub> / Order No	d <sub>5</sub>	P	l <sub>1</sub> / Order No	l (Order Code character)	80 (E)	90 (F)	100 (G)
13 / (3)	12	32	19(2) 30(4)		●	●	●
16 / (4)	12	38	19(2) 30(4)		●	●	●
20 / (5)	12	40	19(2) 30(4)		●	●	●
25 / (6)	12	44	19(2) 30(4)		●	●	●
32 / (7)	12	50	19(2) 30(4)		●	●	●
40 / (9)	12	56	19(2) 30(4)		●	●	●

### Ordering Code (example):

**2205.7G4.5000**



**Shape: round**

P = Ø 50 mm

**Punch cutting length: l<sub>1</sub>**

30 mm

**Length: l**

100 mm

**Diameter: d<sub>2</sub>**

32 mm

**Type:**

punch larger, heavy

**Execution:**

blank

**Punch:**

without ejector pin

= 5000

**Order No**

= (4)

**Order Code character**

= (G)

**Order No**

= (7)

**Order No**

= (5)

**Order No**

= (0)

= 22

### Material:

HSS

Hardness 62 ± 2 HRC

### Execution:

Shaft and punch diameter fine ground.

Special dimensions on request.