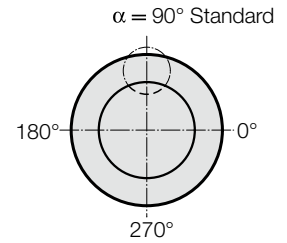
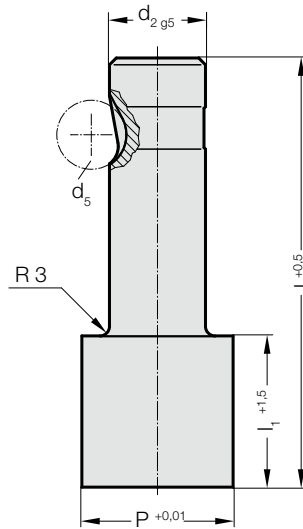


BALL-LOCK PUNCH, PUNCH LARGER THAN SHAFT, ROUND, HEAVY DUTY



2215.



2215. Ball-Lock punch, punch larger than shaft, round, heavy duty

d ₂ / Order No	d ₅	P	l ₁ / Order No	l (Order Code character)	80 (E)	90 (F)	100 (G)
13 / (3)	12	13,1 - 32	19(2) 30(4)		●	●	●
16 / (4)	12	16,1 - 38	19(2) 30(4)		●	●	●
20 / (5)	12	20,1 - 40	19(2) 30(4)		●	●	●
25 / (6)	12	25,1 - 44	19(2) 30(4)		●	●	●
32 / (7)	12	32,1 - 50	19(2) 30(4)		●	●	●
40 / (9)	12	40,1 - 56	19(2) 30(4)		●	●	●

Material:

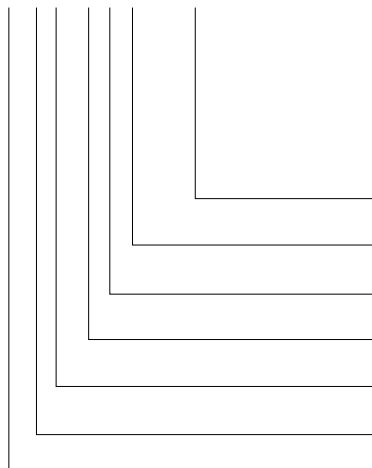
HSS
Hardness 62 ± 2 HRC

Execution:

Shaft and punch diameter fine ground.
Special dimensions on request.

Ordering Code (example):

2215.7G2.3210



Shape: round

P = ∅ 32,1 mm

Punch cutting length: l₁

19 mm

Length: l

100 mm

Diameter: d₂

32 mm

Type:

punch larger, heavy

Execution:

round

Punch:

without ejector pin

= 3210

Order No

= (2)

Order Code character

= (G)

Order No

= (7)

Order No

= (5)

Order No

= (1)

= 22