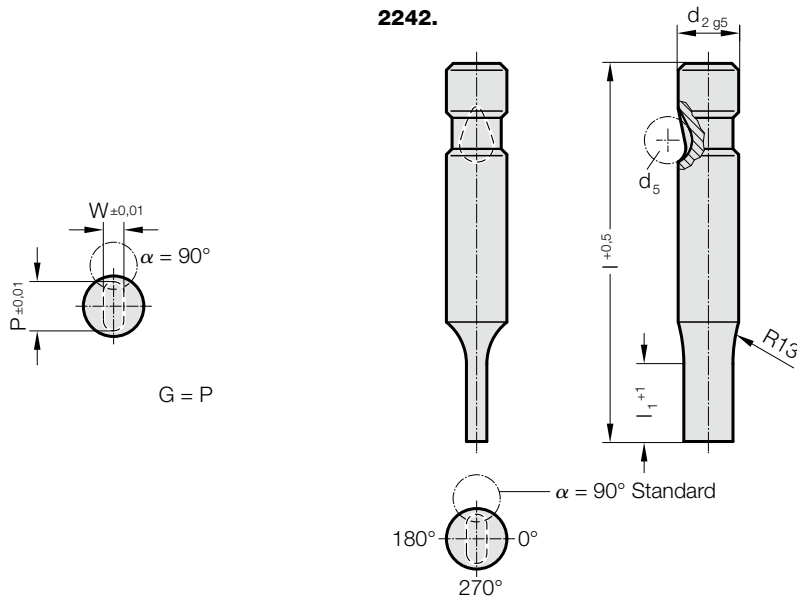


BALL-LOCK PUNCH, STEPPED, SLOT, LIGHT DUTY



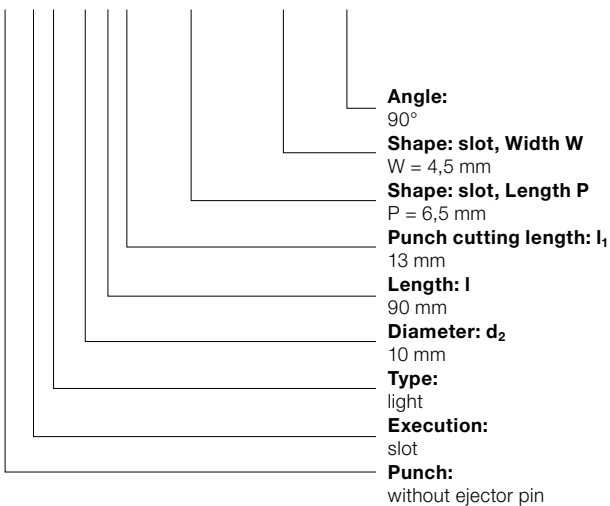
2242. Ball-Lock punch, stepped, slot, light duty

d ₂ / Order No	d ₅	W _{min}	G _{max}	l ₁ / Order No	l (Order Code character)	63	71	80	90	100
						(C)	(D)	(E)	(F)	(G)
6 / (1)	6	1.6	5.9	13(1)		●	●	●	●	●
10 / (2)	8	1.6	9.9	13(1) 19(2)		●	●	●	●	●
13 / (3)	8	4.5	12.9	13(1) 19(2)		●	●	●	●	●
16 / (4)	8	6	15.9	13(1) 19(2) 25(3)		●	●	●	●	●
20 / (5)	8	8	19.9	13(1) 19(2) 25(3)		●	●	●	●	●
25 / (6)	8	10	24.9	13(1) 19(2) 25(3)		●	●	●	●	●
32 / (7)	8	12.5	31.9	13(1) 19(2) 25(3)			●	●	●	●
38 / (8)	8	14	37.9	19(2) 25(3) 30(4)				●	●	●

l₁=10 where W < 2.20

Ordering Code (example):

2242.2F1.0650.0450.B



Order Code character
= (B)

= 0450

= 0650

Order No
= (1)

Order Code character
= (F)

Order No
= (2)

Order No
= (2)

Order No
= (4)

= 22

Material:

HSS

Hardness 62 ± 2 HRC

Execution:

Shaft and punch shape fine ground.
Special dimensions on request.