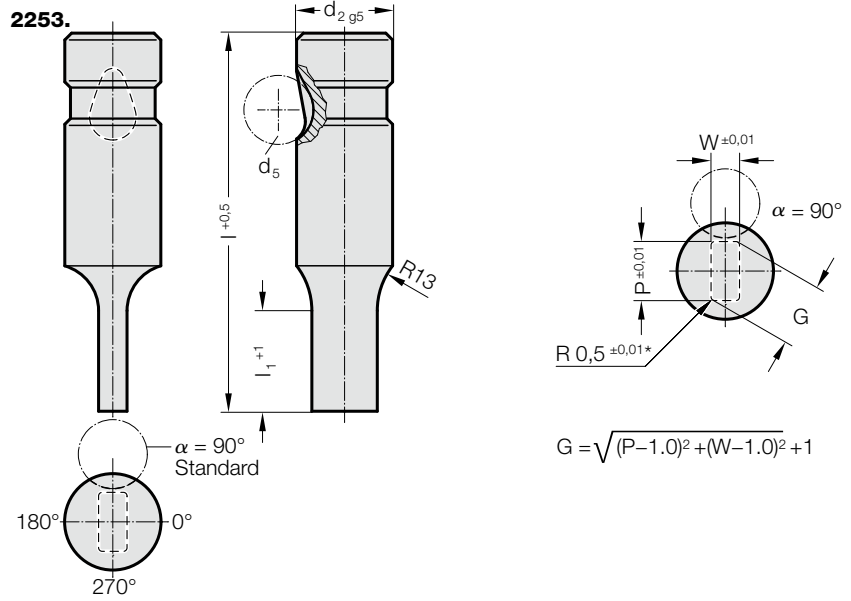


# BALL-LOCK PUNCH, STEPPED, RECTANGLE WITH RADIUSSED CORNERS, HEAVY DUTY



## 2253. Ball-Lock punch, stepped, rectangle with radiused corners, heavy duty

d <sub>2</sub> / Order No	W <sub>min</sub>	G <sub>max</sub>	l <sub>1</sub> / Order No	l (Order Code character)	63 (C)	71 (D)	80 (E)	90 (F)	100 (G)	110 (H)	125 (J)
10 / (2)	1.6	9.9	13(1) 19(2)		●	●	●	●	●	●	●
13 / (3)	4.5	12.9	13(1) 19(2)		●	●	●	●	●	●	●
16 / (4)	6	15.9	13(1) 19(2) 25(3)		●	●	●	●	●	●	●
20 / (5)	8	19.9	13(1) 19(2) 25(3)		●	●	●	●	●	●	●
25 / (6)	10	24.9	13(1) 19(2) 25(3)			●	●	●	●	●	●
32 / (7)	12.5	31.9	13(1) 19(2) 25(3)			●	●	●	●	●	●
40 / (9)	14	39.9	19(2) 25(3) 30(4)				●	●	●	●	●

l<sub>1</sub>=10 where W < 2.20

### Material:

HSS  
Hardness 62 ± 2 HRC

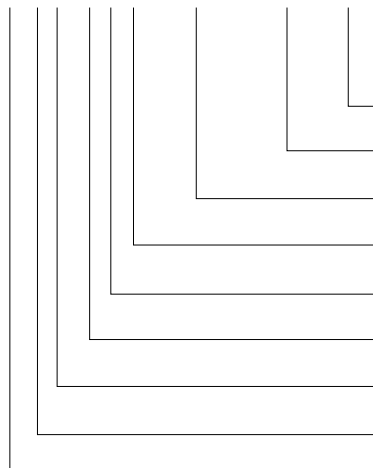
### Execution:

Shaft and punch shape fine ground.  
Special dimensions on request.

\* For other radius options, see standardised special shapes.

### Ordering Code (example):

**2253.2F1.0650.0450.B**



**Angle:** 90°  
**Shape:** rectangle with radiused corners, Width W  
W = 4,5 mm  
**Shape:** rectangle with radiused corners, Length P  
P = 6,5 mm  
**Punch cutting length:** l<sub>1</sub>  
13 mm  
**Length:** l  
90 mm  
**Diameter:** d<sub>2</sub>  
10 mm  
**Type:** heavy  
**Execution:** rectangle with radiused corners  
**Punch:** without ejector pin

**Order Code character**  
= (B)  
**Order Code character**  
= (B)  
**Order No**  
= 0450  
**Order Code character**  
= (F)  
**Order No**  
= 0650  
**Order Code character**  
= (1)  
**Order Code character**  
= (2)  
**Order No**  
= 01  
**Order Code character**  
= (3)  
**Order No**  
= 02  
**Order Code character**  
= (4)  
**Order No**  
= 03  
**Order Code character**  
= (5)  
**Order No**  
= 04