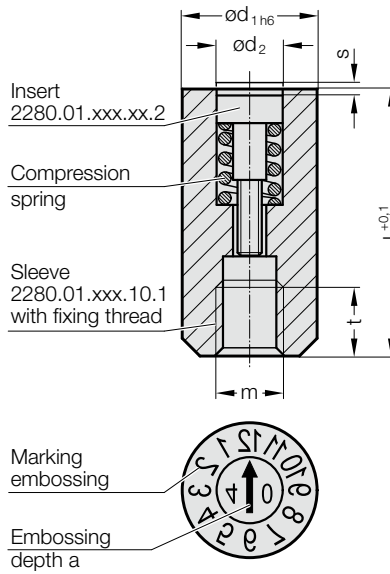


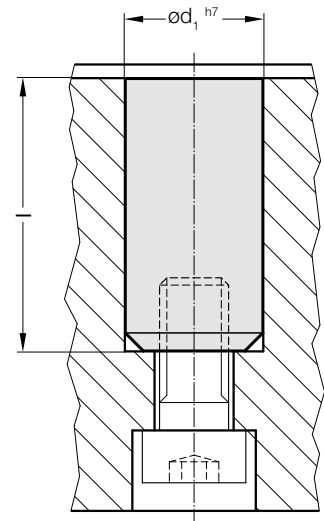
DATE STAMP COMPLETE, EMBOSSED LETTERING



2280.01.



Mounting example



Material:

1.2767, hardened HRC 54±2, ground

Note:

The sleeve and insert can be ordered separately (see ordering example).

Description:

- sleeve with engraving
- adjustable insert with display arrow and year (can be rotated using an ordinary screwdriver)
- metric thread for fixing
- mirror image engraving

Mounting:

Fixing:

Screw in the insert in a clockwise direction until it is flush with the top edge and set to the required position.

Setting:

Set the insert by turning clockwise or anti-clockwise. When correctly set, the insert of a stamp with $d_1 = 6$ mm (.060.) is typically a maximum of 0.1 mm above or below the top edge of the sleeve.

Changing:

To change the insert turn it anti-clockwise to remove.

2280.01. Date stamp complete, embossed lettering

d_1	d_2	l	m	t	s	a
4	2.5	14	2	2	0.2	0.3
5	3.1	17	3	3	0.2	0.4
6	3.1	17	3	3	0.2	0.4
8	4.6	20	4	4	0.35	0.4
10	4.6	20	5	4	0.35	0.4
12	6.4	25	6	6	0.5	0.6
16	8.4	33	8	8	0.6	0.6

Order samples:

Date insert, complete	=	2280.
Standard design	=	01.
Diameter of guide sleeve		
$d_1 = 5$	=	050.
Sleeve with display:		
Months (1-12)	=	10.
Insert with display: Arrow + year		
(variable) e.g. 2004	=	04
Order No	=	2280.01.050.10.04

Date insert, Sleeve	=	2280.
Standard design	=	02.
Diameter of guide sleeve		
$d_1 = 5$	=	050.
Sleeve with display:		
Months (1-12)	=	10.
Sleeve	=	1
Order No	=	2280.02.050.10.1

Date insert, Insert	=	2280.
Standard design	=	01.
Diameter of guide sleeve		
$d_1 = 5$	=	050.
Insert with display: Arrow + year		
(variable) e.g. 2004	=	04.
Insert	=	2
Order No	=	2280.01.050.04.2

