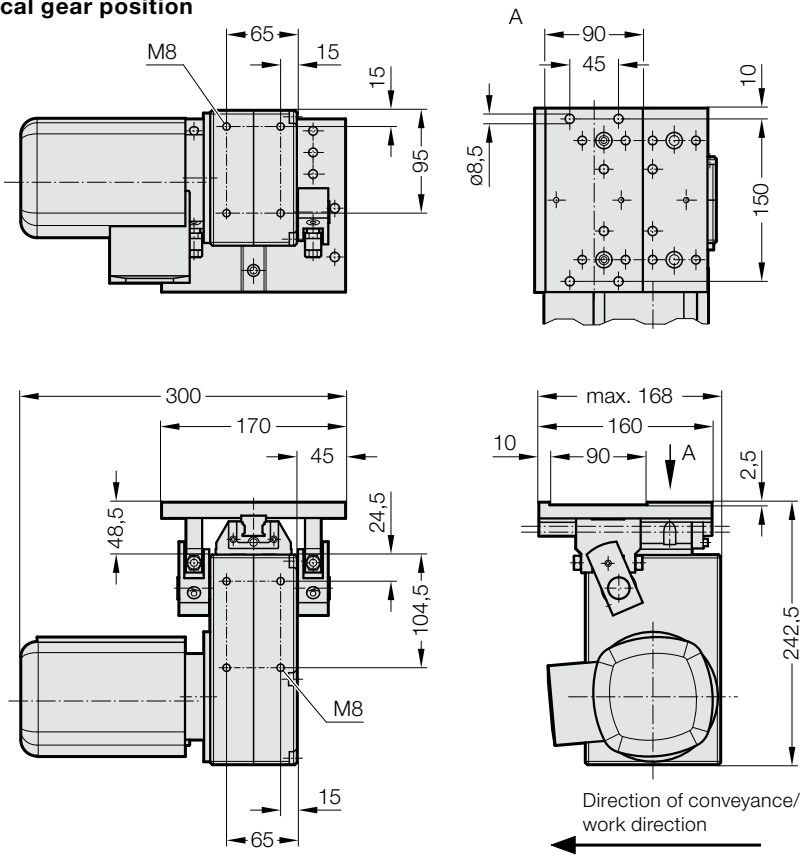


# ELECTRO-MECHANICAL TRANSPORTER, VERTICAL GEAR POSITION

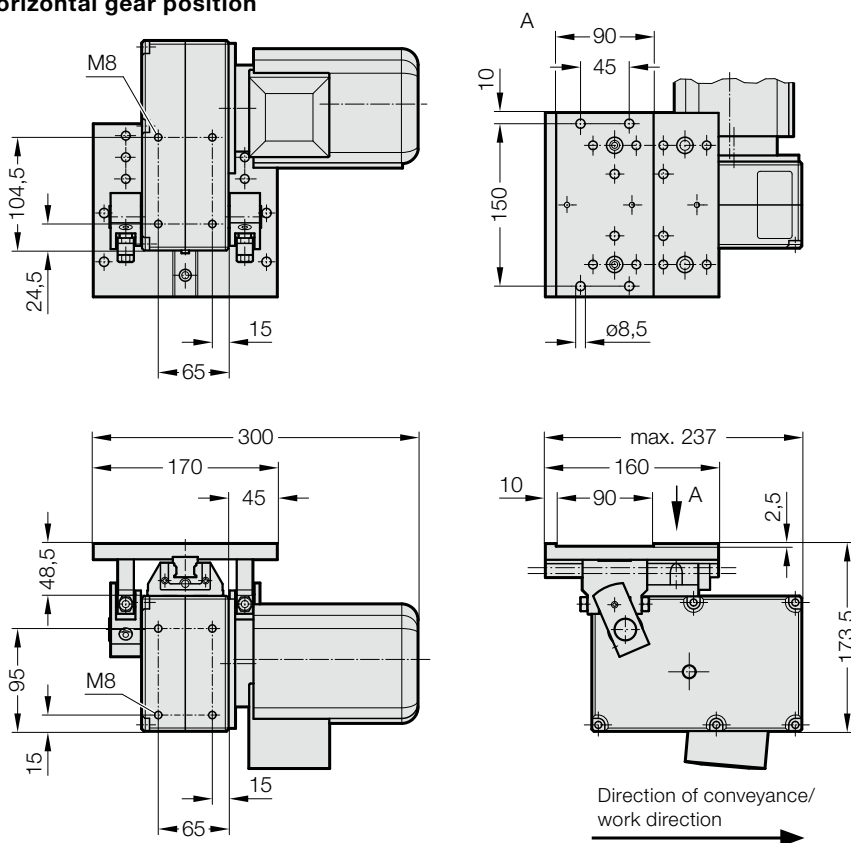
# ELECTRO-MECHANICAL TRANSPORTER, HORIZONTAL GEAR POSITION

**2299.001**  
vertical gear position



**Note:**  
The transporter can be attached at two levels.

**2299.002**  
horizontal gear position



**Note:**  
The transporter can be attached at two levels.