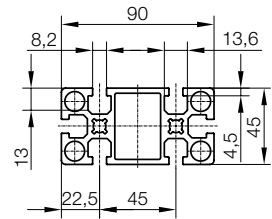
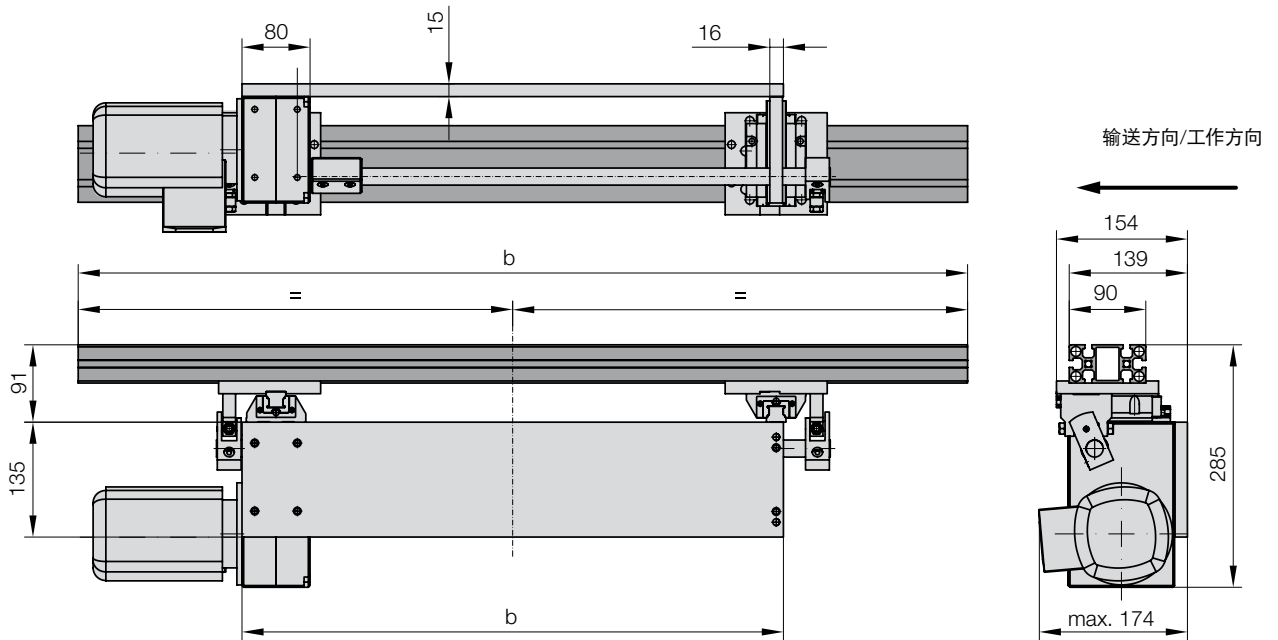


机电输送装置，垂直传动轴承，2 个滑块，带型材和支架



2299.121.



2299.121. 机电输送装置，垂直传动轴承，2 个滑块，带型材和支架

| b | 1,300 | 1,400 | 1,500 | 1,600 | 1,700 | 1,800 | 1,900 | 2,000 | 2,100 | 2,200 | 2,300 | 2,400 | 2,500 | 2,600 | 2,700 | 2,800 | 2,900 | 3,000 | |
|------|-------|-------|-------|-------|-------|-------|-------|-------|-------|-------|-------|-------|-------|-------|-------|-------|-------|-------|---|
| a | | | | | | | | | | | | | | | | | | | |
| 900 | ● | ● | ● | ● | ● | ● | | | | | | | | | | | | | |
| 1200 | | | | | | | ● | ● | ● | ● | ● | ● | ● | ● | ● | ● | ● | ● | ● |
| 1500 | | | | | | | | | | | | | ● | ● | ● | ● | ● | ● | ● |

订购示例:

机电输送装置，垂直传动轴承，2 个滑块，带型材和支架 = 2299.121.
 b = 1400 mm = 1400.
 a = 900 mm = 0900
 订购编号 = 2299.121. 1400.0900