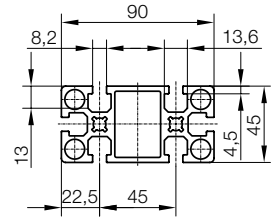
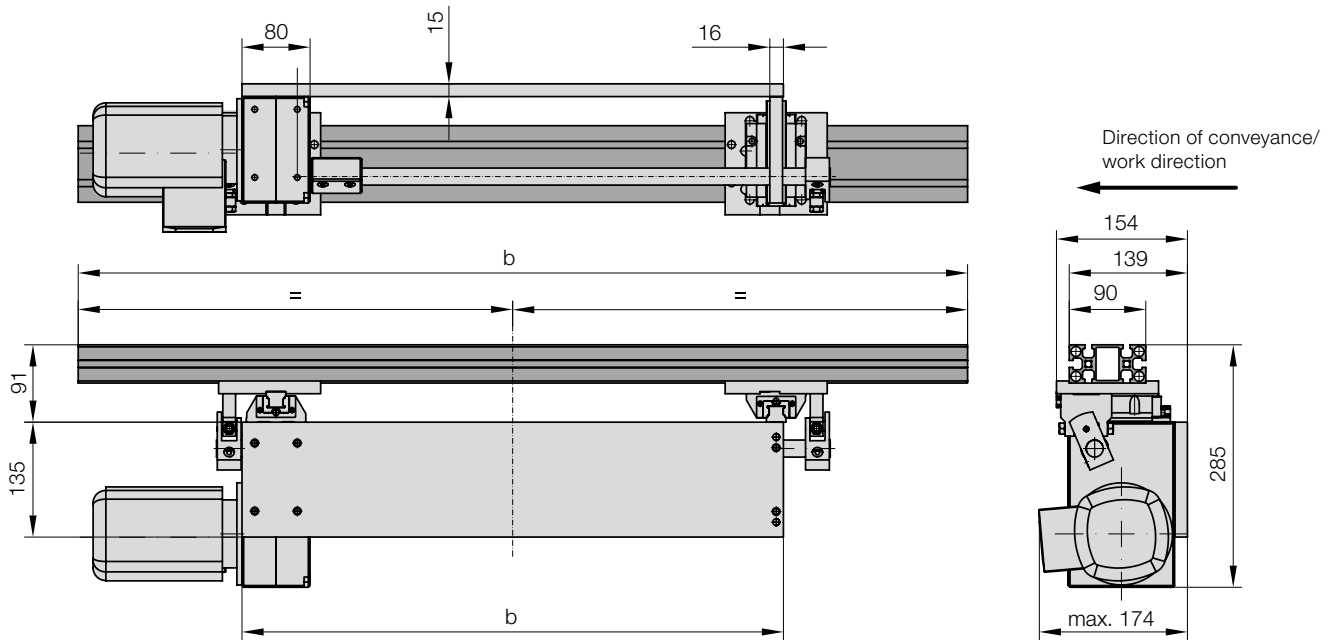


ELECTRO-MECHANICAL TRANSPORTER, VERTICAL GEAR POSITION, 2 CARRIAGES, WITH PROFILE AND SUPPORT



2299.121.



2299.121. Electro-mechanical transporter, vertical gear position, 2 carriages, with profile and support

b	1,300	1,400	1,500	1,600	1,700	1,800	1,900	2,000	2,100	2,200	2,300	2,400	2,500	2,600	2,700	2,800	2,900	3,000	
a																			
900	•	•	•	•	•	•													
1200							•	•	•	•	•	•	•	•	•	•	•	•	•
1500													•	•	•	•	•	•	•

Ordering Code (example):

Electro-mechanical transporter, vertical gear position,
 2 carriages, with profile and support = 2299.121.
 b = 1400 mm = 1400.
 a = 900 mm = 0900
 Order No = 2299.121. 1400.0900