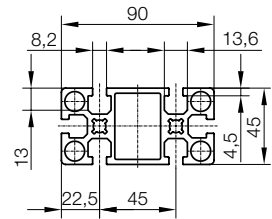
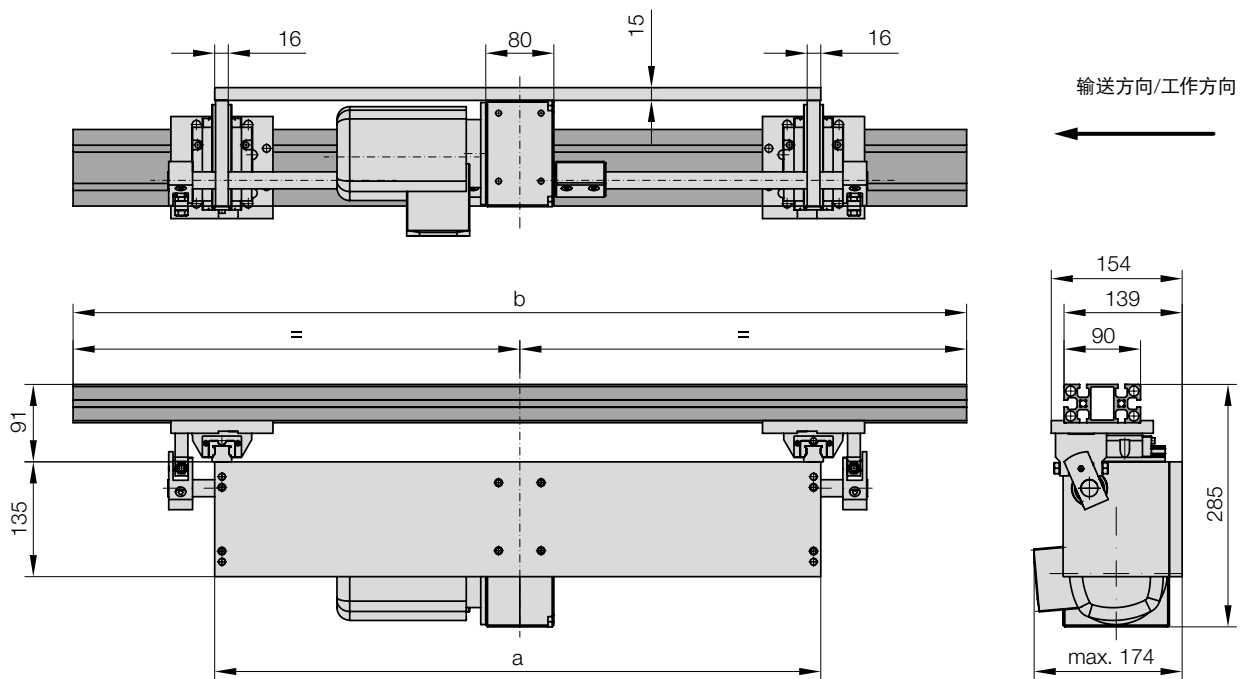


机电输送装置，中间垂直传动轴承，2 个滑块，带型材和支架



2299.221.



2299.221. 机电输送装置，中间垂直传动轴承，2 个滑块，带型材和支架

b	3,100	3,200	3,300	3,400	3,500	3,600	3,700	3,800	3,900	4,000	4,100	4,200	4,300	4,400	4,500	4,600	4,700	4,800	4,900	5,000	
a																					
1720	●	●	●	●	●	●															
2320							●	●	●	●	●	●	●	●	●	●	●	●	●	●	●
2920															●	●	●	●	●	●	●

订购示例:

机电输送装置，中间垂直传动轴承，2 个滑块，带型材和支架 = 2299.221.
 b = 3400 mm = 3400.
 a = 1720 mm = 1720
 订购编号 = 2299.221.3400.1720