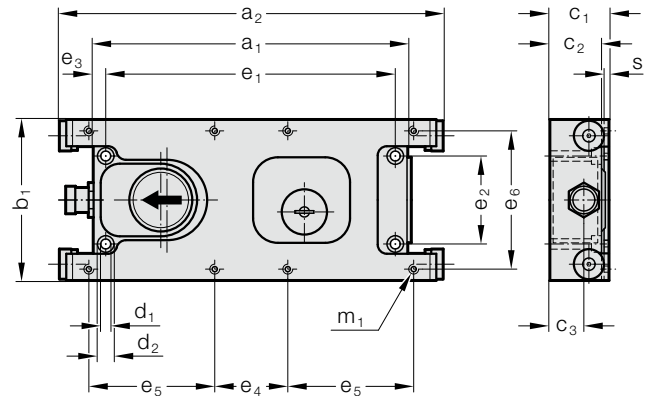


ELECTRIC TRANSPORTER, BLACK LINE



2299.60.1□100.



Description:

The electric transporter simplifies automation, increases energy efficiency and reduces noise pollution. The speed can be adjusted mechanically and, depending on the task type, the transporter conveys, sorts or separates electrically.

Used predominantly in metal processing and the automotive industry.

Material:

High-strength steel and anodised aluminium

Order example:

Order numbers for Transporter electric BLACK LINE **without connection cable** (2299.60.82.0x.xx)

With control unit, 230 V:

- 2299.60.18100.01 MINI
- 2299.60.14100.01 COMPACT
- 2299.60.12100.01 MAX
- 2299.60.10100.02 ULTRA (potential-free output)

Replacement **without** control unit, 230 V:

- 2299.60.18100.00 MINI
- 2299.60.14100.00 COMPACT
- 2299.60.12100.00 MAX
- 2299.60.10100.00 ULTRA

Note:

The connection cable, control unit transporter and optionally the signal cable, control unit press are to be ordered separately.

For more information on the electrical connections, control unit and channel fastening, see Accessories.

Socket head screws DIN EN ISO 4762 for fastening the transporter are included in delivery.

2299.60. Electric transporter, BLACK LINE

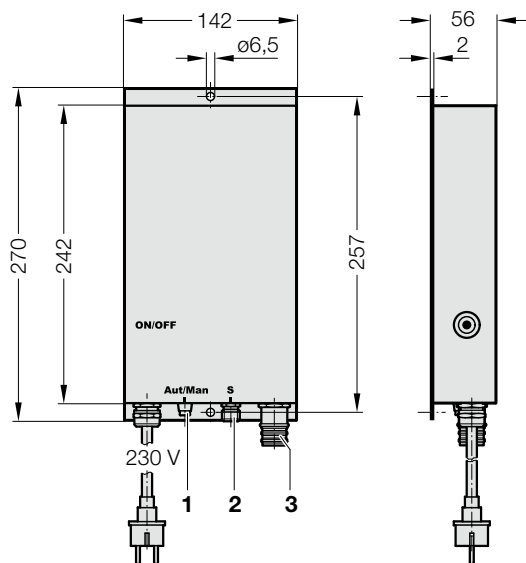
Order No	a ₁	a ₂	b ₁	c ₁	c ₂	c ₃	d ₁	d ₂	e ₁	e ₂	e ₃	e ₄	e ₅	e ₆	m ₁	s
2299.60.18100.00	220	271	118	38.7	33.5	20.9	6.3	10	206	70	7	25	107	100	M5	3
2299.60.14100.00	250	305	128	47	41	27	8.2	13.5	230	70	10	58	100	110	M6	4
2299.60.12100.00	260	316	138	68	61	38	8.2	13.5	238	70	11	58	105	110	M6	6
2299.60.10100.00	260	320	146	78	69	51	8.2	13.5	238	70	29	58	105	110	M6	6

Execution	MINI	KOMPAKT	MAX	ULTRA
Transport weight max. (excl. channel) [kg]	10	20	40	100
Guide channel weight max. [kg]	4	8	16	50
Stroke	20	20	20	20
Conveying speed (mechanically adjustable) [m/min.]	4 - 8	4 - 8	4 - 8	4 - 8
Warning system (motion sensor)	integrated	integrated	integrated	integrated
Start/stop	Controllable via PLC	Controllable via PLC	Controllable via PLC	Controllable via PLC
Motor and overload protection	integrated	integrated	integrated	integrated
Noise emissions [dB-A]	60	60	60	60
Power consumption [kW]	0.05	0.07	0.15	0.25
Electrical connection, control unit	M23	M23	M23	M23
Protection type	IP62	IP62	IP62	IP62
Weight [kg]	2.65	3.7	6.3	9
Temperature range (permissible ambient temperature)	-20 to +100 °C	-20 to +100 °C	-20 to +100 °C	-20 to +100 °C

TRANSPORTER ELECTRICAL - ACCESSORIES

CONTROL UNIT BLACK LINE, SIGNAL CABLE, CONNECTION CABLE

2299.60.1□100.12/13



Description:

The control unit is the electrical module for controlling the transporter.

Material:

Steel
IP54

Technical data:

Temperature operating range: -20 to +40 °Celsius (environment temperature)

Note:

The control unit must be mounted on a metal surface for heat dissipation. Before connecting the electric transporter, check that the channel can move freely in the direction of travel.

Included in the delivery,

Mains connection incl. plugs for USA and GB

Fixing bolts ISO 7380-1 M6 x 8 (x2)

1 - Changeover between PLC and manual operation



PLC mode:

In this position, this start/stop function is controlled via the straight signal cable (M12 plug).



Manual mode:

In this position, the start/stop function is controlled by the control unit.

2 - 2299.60.81.01. Signal cable straight, to the press

order separately

Order No	l [m]
2299.60.81.01.03	3
2299.60.81.01.05	5
2299.60.81.01.10	10

For further information, see catalogue page for straight signal cable

2299.60. Control unit BLACK LINE

Order No*	Connection [V]	Power requirement [A]
2299.60.10100.13	230	1,8 - 3,5
2299.60.12100.12	230	1,2 - 2,2
2299.60.14100.12	230	0,75 - 1,7
2299.60.18100.12	230	0,55 - 1,3

1-phase 110-230 V, 50-60 Hz, earthed connection

*.13 = potential free output

3 - 2299.60.82.01. Connection cable straight/straight, control

unit - transporter

order separately

Order No	l [m]
2299.60.82.01.03	3
2299.60.82.01.05	5
2299.60.82.01.10	10
2299.60.82.01.15	15

2299.60.82.02. Connection cable straight/90°, control unit -

transporter

order separately

Order No	l [m]
2299.60.82.02.03	3
2299.60.82.02.05	5
2299.60.82.02.10	10
2299.60.82.02.15	15