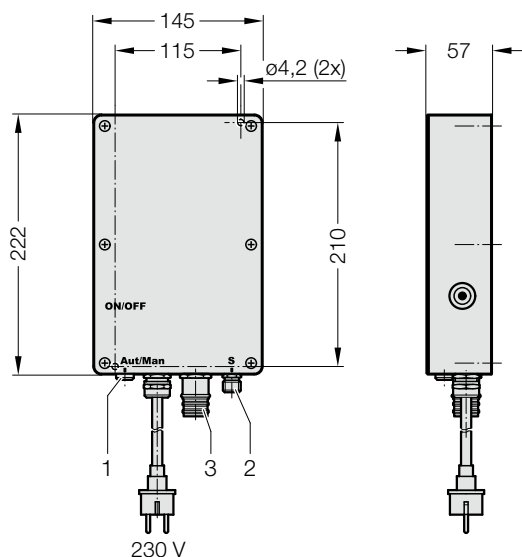


TRANSPORTER ELECTRICAL - ACCESSORIES

CONTROL UNIT CLEAN LINE, SIGNAL CABLE, CONNECTION CABLE

2299.61.1 □ 100.12



Description:

The control unit is the electrical module for controlling the transporter.

Material:

Aluminium die casting
IP67

Technical data:

Temperature operating range: -20 to +40 °Celsius (environment temperature)

Note:

The control unit must be mounted on a metal surface for heat dissipation. Before connecting the electric transporter, check that the channel can move freely in the direction of travel.

Included in the delivery,

Mains connection incl. plugs for USA and GB,

Fixing bolts DIN EN ISO 4762 M4 x 20 (x 2) stainless steel A2

1 - Changeover between PLC and manual operation



PLC mode:

In this position, this start/stop function is controlled via the straight signal cable (M12 plug).



Manual mode:

In this position, the start/stop function is controlled by the control unit.

2 - 2299.60.81.01. Signal cable straight, to the press order separately

Order No	l [m]
2299.60.81.01.03	3
2299.60.81.01.05	5
2299.60.81.01.10	10

For further information, see catalogue page for straight signal cable

2299.61. Control unit CLEAN LINE

Order No	Connection [V]	Power requirement [A]
2299.61.12100.12	230	1,2 - 2,2
2299.61.14100.12	230	0,75 - 1,7
2299.61.18100.12	230	0,55 - 1,3

1-phase 110-230 V, 50-60 Hz, earthed connection

3 - 2299.60.82.01. Connection cable straight/straight, control unit - transporter order separately

Order No	l [m]
2299.60.82.01.03	3
2299.60.82.01.05	5
2299.60.82.01.10	10
2299.60.82.01.15	15

2299.60.82.02. Connection cable straight/90°, control unit - transporter order separately

Order No	l [m]
2299.60.82.02.03	3
2299.60.82.02.05	5
2299.60.82.02.10	10
2299.60.82.02.15	15