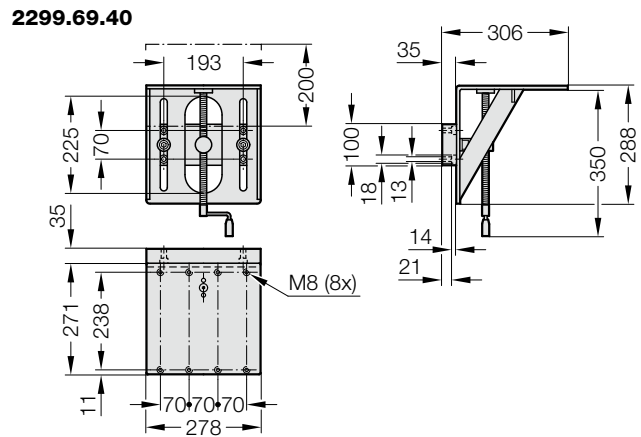


# TRANSPORTER ELECTRICAL - ACCESSORIES

## HEIGHT-ADJUSTABLE MOUNTING BRACKET

### HEIGHT-ADJUSTABLE MOUNTING BRACKET, FOR BEAM MOUNTING



#### Description:

The height-adjustable mounting bracket is attached to the power press/production machine using four bolts. The mounting bracket has three pre-defined mounting options on the top (left, centre and right) for the transporter.

#### Material:

Steel, black zinc-plated

#### Note:

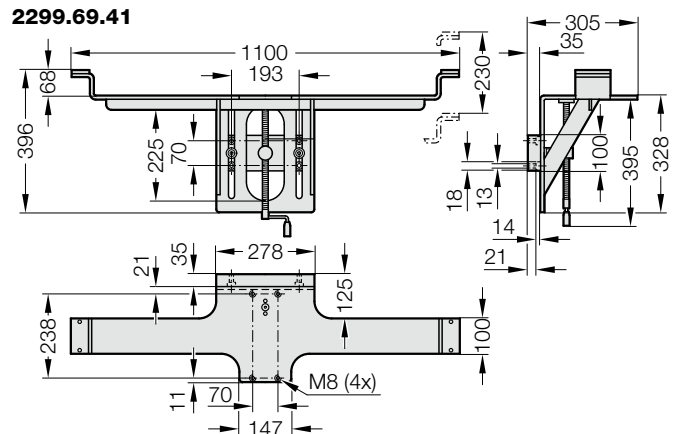
Only use for 2299.60.10100./2299.60.12100.

Electric transporter, BLACK LINE, ULTRA/MAX

Included in the delivery scope: socket head screws DIN EN ISO 4762 4x M12x50 -12.9.

#### 2299.69.40 Height-adjustable mounting bracket

Max. load	100 kg
Height adjustment of the angled support (with ball bearing-mounted crank)	200 mm
Weight	18,2 kg



#### Description:

The height-adjustable mounting bracket is attached to the power press/production machine using four bolts. The lateral outriggers prevent the profiled beam from bending with a larger span.

#### Material:

Steel, black zinc-plated

#### Note:

Only use for 2299.60.10100./12100.

Electric transporter, BLACK LINE, ULTRA/MAX

Replacement slide element: 2299.69.41.00.01

Included in the delivery scope: socket head screws DIN EN ISO 4762 4x M12x50 -12.9.

#### 2299.69.41 Height-adjustable mounting bracket, for beam mounting

Max. load	100 kg
Max. length of aluminium bar	3000 mm
Max. length of clamping bar	2000 mm
Height adjustment of the angled support (with ball bearing-mounted crank)	230 mm
Weight	28,5 kg