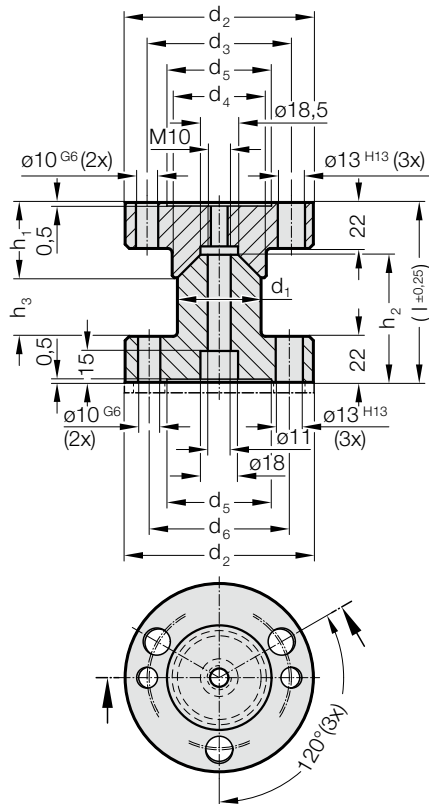


CENTERING UNIT, CNOMO

2441.13.45.



Material:

X153CrMoV12 (1.2379), hardened 58 ± 2 HRC

Note:

Order No for centring unit to CNOMO with adjusting washer:

2441.13.0.45.

Screws and pins are not included.

2441.13.45. Centering unit, CNOMO

Order no.	d ₁	d ₂	d ₃	d ₄	d ₅	d ₆	h ₁	h ₂	h ₃	l
2441.13.45.040	40	90	69	45	50	67	36	61	28	86
2441.13.45.060	60	110	89	65	70	89	46	61	18	86