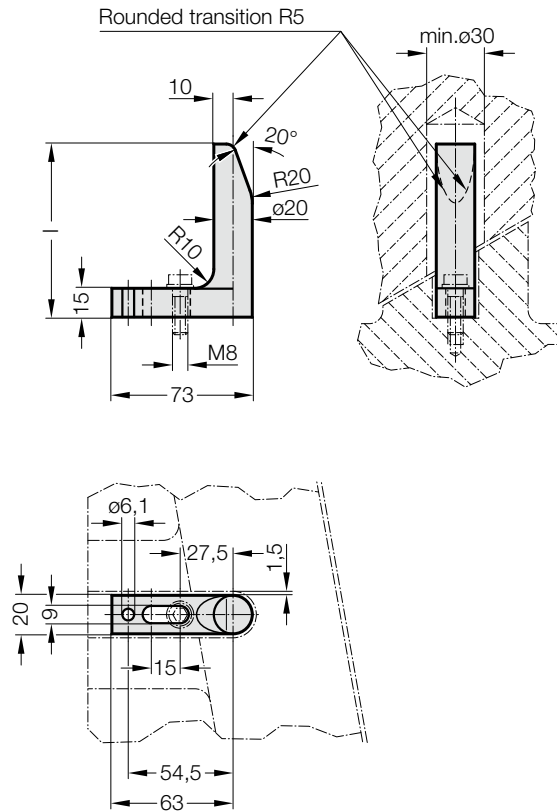


GUIDE TO MERCEDES-BENZ STANDARD - UNHARDENED



2443.10.20.



Material:

Ck 60

Execution:

forged

Note:

Guides are preferably used in confined spaces in sequential compound dies.

2443.10.20. Guide to Mercedes-Benz Standard - unhardened

Order No	I
2443.10.20.065	65
2443.10.20.090	90