

# SPACER PLATE TOOTHED, WITH ADJUSTING PLATE



2444.12 / 2444.13

**Material:**

Spacer plates: 90 MnCrV 8 (1.2842), hardened 58 + 2 HRC  
 Adjusting plate: S355J2+N (1.0577)

**Description:**

For spacing out sheet metal retainers in tools for external skin parts.

**Note:**

Screws are not included.

'0' = basic setting in the middle (grinding-in)

'+' = adjustment to the right - plus

'-' = adjustment to the left - minus

**Attention:**

The bolsters are reversible.

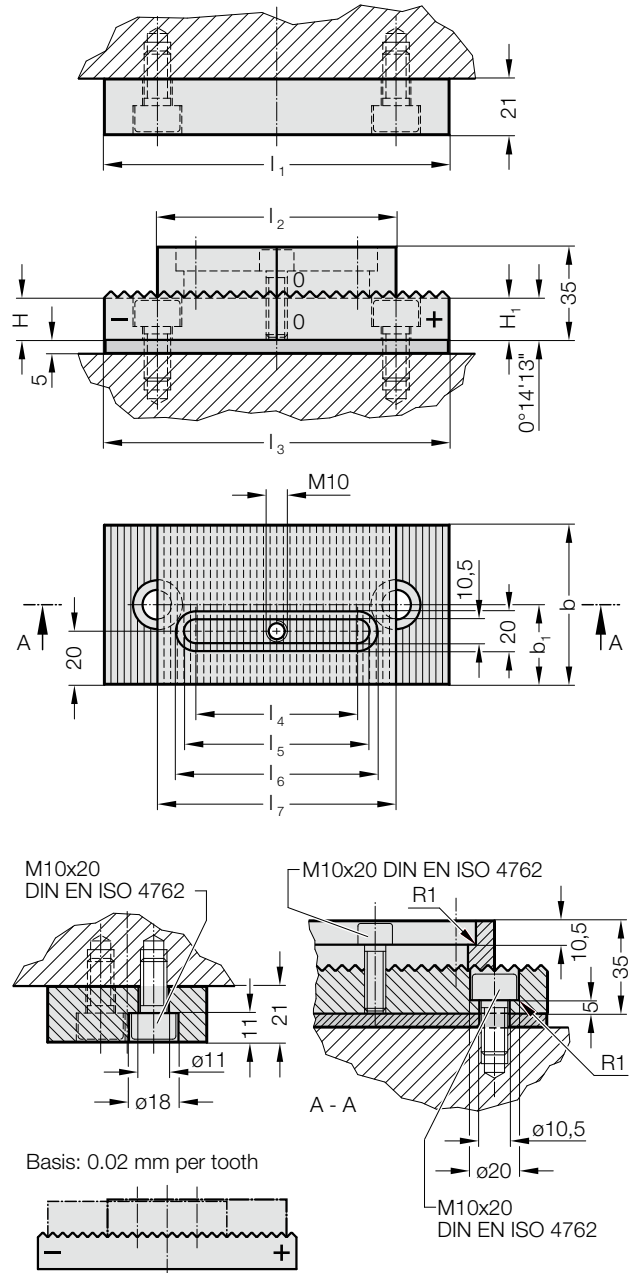
**Adjustment range:**

2444.12

12 increments each of 0.02 mm means an adjusting range of 0.24 mm with a minimum support area of 80 x 60 mm.

2444.13

14 increments each of 0.02 mm means an adjusting range of 0.28 mm with a minimum support area of 100 x 80 mm.



**2444.12 / 2444.13 Spacer plate toothed, with adjusting plate**

Order No	$l_1$	$l_2$	$l_3$	$l_4$	$l_5$	$l_6$	$l_7$	$b$	$b_1$	$H$	$H_1$
2444.12	130	90	130	61	72	79	90	60	30	15.5	16.04
2444.13	160	110	160	71	82	89	120	80	40	15.5	16.16