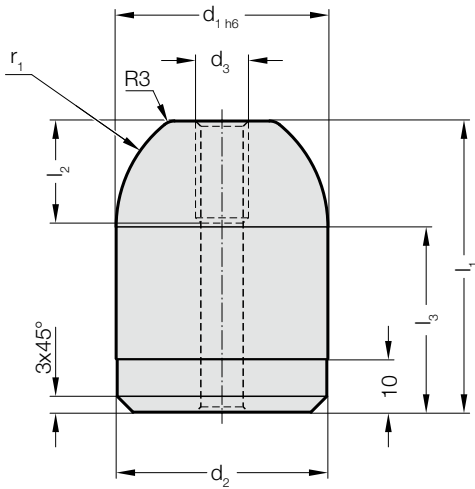


# CENTERING PIN

2445.10.



## 2445.10. Centering pin

Order No		d <sub>1</sub>	d <sub>2</sub>	d <sub>3</sub>	l <sub>1</sub>	l <sub>2</sub>	l <sub>3</sub>	r <sub>1</sub>
2445.10.022.045	1), 2)	22	21.95	M8	45	16	35	15
2445.10.022.055	2)	22	21.95	M8	55	16	45	15
2445.10.032.050	1)	32	31.95	M10	50	20	35	20
2445.10.040.055	1), 2)	40	39.95	M10	55	20	35	25
2445.10.040.065	2)	40	39.95	M10	65	20	45	25
2445.10.040.085	2)	40	39.95	M10	85	20	65	25
2445.10.050.055	1)	50	49.95	M10	55	20	35	25
2445.10.056.080	1)	56	55.95	M10	80	20	60	30

### Description:

Using locating holes components, assemblies and tools can be repeatedly centred with high precision on processing machines, measuring equipment and tool components.

### Material:

Steel, hardened

### Note:

Screws are not included.

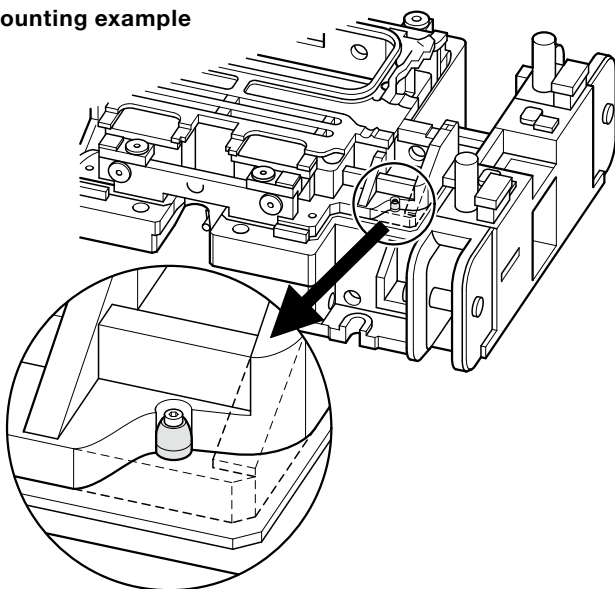
1) to BMW standard

2) to VW standard

### Fixing:

Use socket cap screws DIN EN ISO 4762 M6/M8.

### Mounting example



### Mounting example

