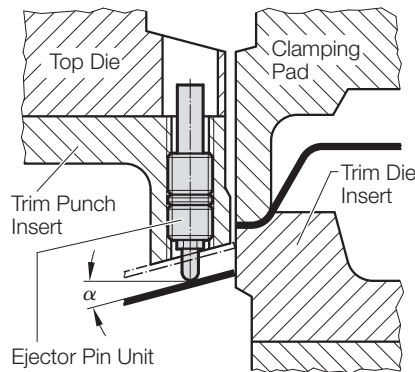


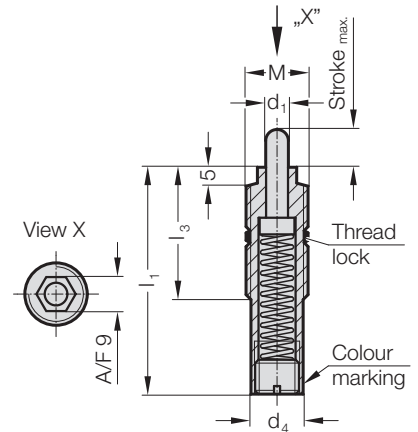
SPRING PLUNGER, MAINTENANCE-FREE, STANDARD SPRING FORCE, VDI 3004, COLOUR MARKING: YELLOW



Mounting example



2470.30. .1



Description:

Spring plungers are used as ejectors, damper pins, fixing and retaining pins in many sectors of the tool-, jig- and fixture-making industries. Assembly requires the use of special FIBRO insertion tool (2470.10.11).

Execution:

Spring clamp made of high-performance plastic with additives
 Lateral loads up to max. 25° permitted.
 End position damping reduces the kinetic energy on the spring clamps.
 Specially developed thread lock prevents loosening even with strong vibrations in the tool.

Note:

Working temperature: 0 °C to +80 °C
 Max. recommended extensions per minute: approx. 120 (at 20 °C)
 Max. piston speed: 1.6 m/s

2470.30. .1 Spring plunger, maintenance-free, standard spring force, VDI 3004, Colour marking: yellow

Order No	d ₁	d ₄	M	l ₁	l ₃	Stroke max.	Spring rate [N/mm]	Spring force [N] initial	Spring force [N] final	α
2470.30.010.060.1	6	13.4	M16x2	60	35	10	0.95	3.8	13.3	25
2470.30.010.016.060.1	6	13.4	M16x1.5	60	35	10	0.95	3.8	13.3	25
2470.30.015.060.1	6	13.4	M16x2	60	35	15	2	10	40	25
2470.30.015.016.060.1	6	13.4	M16x1.5	60	35	15	2	10	40	25
2470.30.020.080.1	6	13.4	M16x2	80	35	20	1.38	6.9	34.5	25
2470.30.020.016.080.1	6	13.4	M16x1.5	80	35	20	1.38	6.9	34.5	25
2470.30.030.080.1	6	13.4	M16x2	80	35	30	1.3	6.5	45.5	25
2470.30.030.016.080.1	6	13.4	M16x1.5	80	35	30	1.3	6.5	45.5	25
2470.30.030.120.1	6	13.4	M16x2	120	35	30	0.73	18	40	25
2470.30.030.016.120.1	6	13.4	M16x1.5	120	35	30	0.73	18	40	25