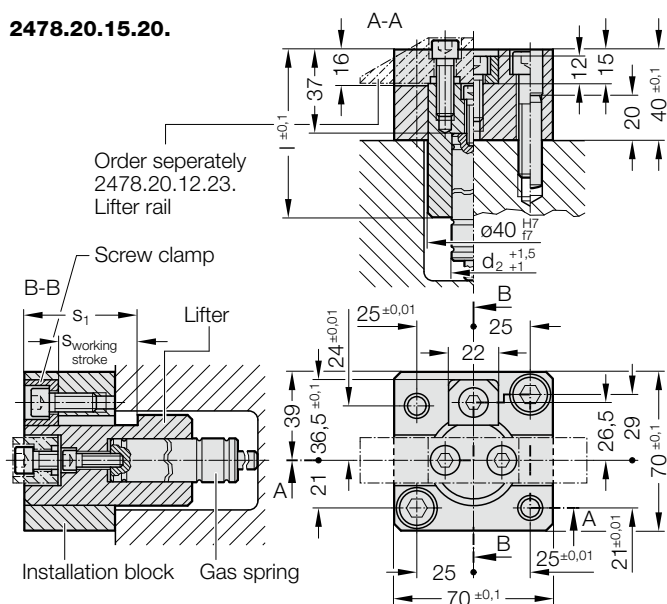


LIFTER UNIT WITH INSTALLATION BLOCK ACCORDING TO BMW STANDARD

2478.20.15.20.



Material:

Steel

Execution:

Lifter unit with installation block comprises:

- Installation block
- Lifter
- Screw clamp
- Gas spring 2482.74.00090. or 2480.21.00200.
- Socket cap screw according to ISO 4762
M6×20 (1x), M8×20 (1x), M8×25 (2x), M10×45 (2x)
- Dowel pin according to ISO 8735 \varnothing 10×40 (2x)

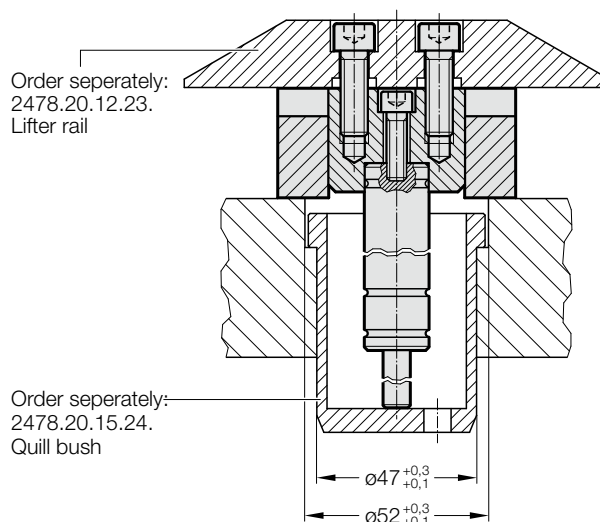
Note:

Order separately (see installation example)

- 2478.20.15.23.: Lifter rail
- 2478.20.15.24.: Holding sleeve

On request, gas spring with a lower spring force available.

Mounting example



2478.20.15.20. Lifter unit with installation block according to BMW standard

Order No	d_2	l	Sworking stroke	S_1	Gas spring
2478.20.15.20.14.009	19	49	9	25	2482.74.00090.010.2
2478.20.15.20.24.009	25	49	9	25	2480.21.00200.010
2478.20.15.20.14.014	19	53.5	13.5	29.5	2482.74.00090.015.2
2478.20.15.20.24.014	25	53.5	13.5	29.5	2480.21.00200.015
2478.20.15.20.14.023	19	62.5	22.5	38.5	2482.74.00090.025.2
2478.20.15.20.24.023	25	62.5	22.5	38.5	2480.21.00200.025
2478.20.15.20.14.034	19	74	34	50	2482.74.00090.038.2
2478.20.15.20.24.034	25	74	34	50	2480.21.00200.038
2478.20.15.20.14.045	19	85	45	61	2482.74.00090.050.2
2478.20.15.20.24.045	25	85	45	61	2480.21.00200.050
2478.20.15.20.14.059	19	98.5	58.5	74.5	2482.74.00090.063.2
2478.20.15.20.24.059	25	98.5	58.5	74.5	2480.21.00200.063
2478.20.15.20.14.075	19	115	75	91	2482.74.00090.080.2
2478.20.15.20.24.075	25	115	75	91	2480.21.00200.080
2478.20.15.20.14.095	19	135	95	111	2482.74.00090.100.2
2478.20.15.20.24.095	25	135	95	111	2480.21.00200.100
2478.20.15.20.14.120	19	160	120	136	2482.74.00090.125.2
2478.20.15.20.24.120	25	160	120	136	2480.21.00200.125