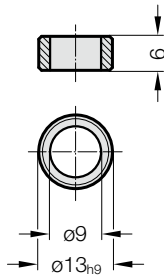


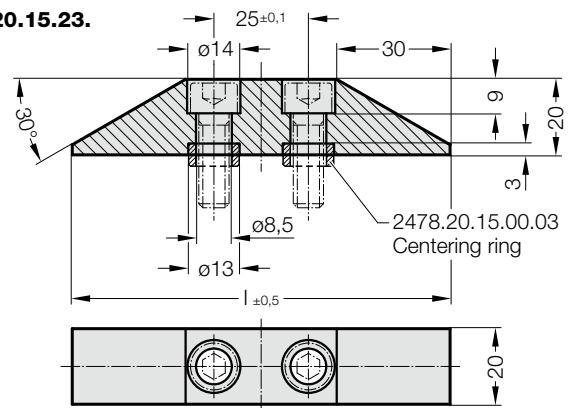
LIFTER RAIL FOR LIFTER UNITS TO BMW STANDARD HOLDING SLEEVE FOR LIFTER UNITS TO BMW STANDARD



2478.20.15.00.03
Centering ring
(Order-No. for reordering)



2478.20.15.23.



Material:

Steel

Note:

Delivery without screws and centring rings.

Screws and centring rings are already included in the scope of delivery for the lifter units 2478.20.15.20./30./40.



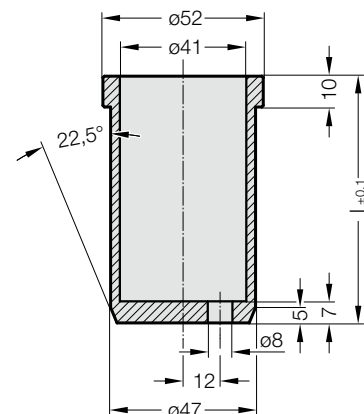
2478.20.15.23.

Lifter rail for lifter units to BMW standard

Order No	l
2478.20.15.23.2020.100	100
2478.20.15.23.2020.125	125
2478.20.15.23.2020.150	150
2478.20.15.23.2020.175	175
2478.20.15.23.2020.200	200
2478.20.15.23.2020.250	250
2478.20.15.23.2020.300	300
2478.20.15.23.2020.350	350
2478.20.15.23.2020.400	400
2478.20.15.23.2020.450	450
2478.20.15.23.2020.500	500
2478.20.15.23.2020.550	550
2478.20.15.23.2020.600	600



2478.20.15.24.



Material:

Steel

Note:

Holding sleeve 2478.20.15.24. can only be used for lifter 2478.20.15.20./30./40. ø 40 mm.

This is required when the panel is not thick enough (see installation example 2478.20.15.20./30./40.).



2478.20.15.24.

Holding sleeve

Order No	l
2478.20.15.24.04.030	30
2478.20.15.24.04.040	40
2478.20.15.24.04.050	50
2478.20.15.24.04.060	60
2478.20.15.24.04.070	70
2478.20.15.24.04.080	80
2478.20.15.24.04.090	90
2478.20.15.24.04.100	100
2478.20.15.24.04.110	110
2478.20.15.24.04.120	120
2478.20.15.24.04.130	130
2478.20.15.24.04.140	140
2478.20.15.24.04.150	150
2478.20.15.24.04.160	160
2478.20.15.24.04.170	170
2478.20.15.24.04.180	180
2478.20.15.24.04.190	190
2478.20.15.24.04.200	200