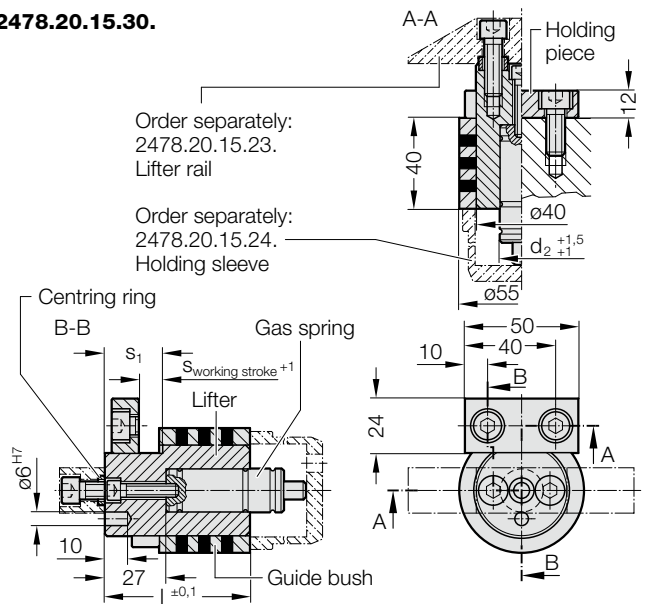


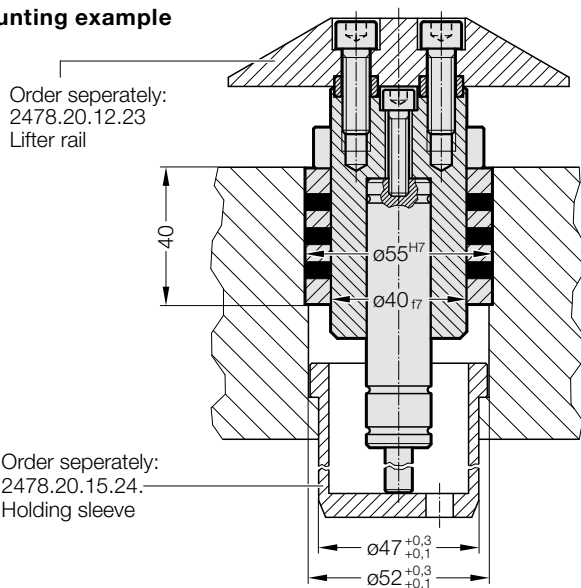
UNIVERSAL LIFTER UNIT, ACCORDING TO BMW STANDARD



2478.20.15.30.



Mounting example



Material:

Steel

Execution:

Universal lifter unit comprises:

- Lifter
- Screw clamp
- Centring rings
- Guide bush
- Gas spring 2482.74.00090. or 2480.21.00200.
- Socket cap screw according to ISO 4762
M6×25 (1x), M8×20 (2x), M8×25 (2x)

Note:

Order separately (see installation example)

- 2478.20.15.23.: Lifter rail
- 2478.20.15.24.: Holding sleeve

2478.20.15.30. Universal lifter unit, according to BMW standard

Order No	d ₂	l	S _{working stroke}	S ₁	Gas spring
2478.20.15.30.14.9	19	64	9	25	2482.74.00090.010.2
2478.20.15.30.24.9	25	64	9	25	2480.21.00200.010
2478.20.15.30.14.14	19	68.5	13.5	29.5	2482.74.00090.015.2
2478.20.15.30.24.14	25	68.5	13.5	29.5	2480.21.00200.015
2478.20.15.30.14.23	19	77.5	22.5	38.5	2482.74.00090.025.2
2478.20.15.30.24.23	25	77.5	22.5	38.5	2480.21.00200.025
2478.20.15.30.14.34	19	89	34	50	2482.74.00090.038.2
2478.20.15.30.24.34	25	89	34	50	2480.21.00200.038
2478.20.15.30.14.45	19	100	45	63	2482.74.00090.050.2
2478.20.15.30.24.45	25	100	45	63	2480.21.00200.050
2478.20.15.30.14.59	19	113.5	58.5	74.5	2482.74.00090.063.2
2478.20.15.30.24.59	25	113.5	58.5	74.5	2480.21.00200.063
2478.20.15.30.14.75	19	130	75	91	2482.74.00090.080.2
2478.20.15.30.24.75	25	130	75	91	2480.21.00200.080
2478.20.15.30.14.95	19	150	95	111	2482.74.00090.100.2
2478.20.15.30.24.95	25	150	95	111	2480.21.00200.100
2478.20.15.30.14.120	19	175	120	136	2482.74.00090.125.2
2478.20.15.30.24.120	25	175	120	136	2480.21.00200.125