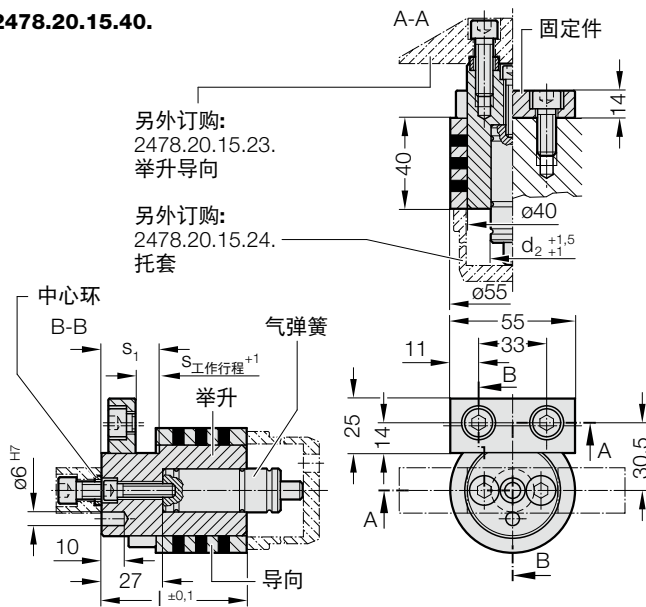


通用的举升装置符合BMW标准

2478.20.15.40.



另外订购:
2478.20.15.23.
举升导向

另外订购:
2478.20.15.24.
托套

材料:
钢

结构:

带有组合块的举升装置组成由:

- 组合块
- 举升
- 固定件
- 导向轴套
- 气弹簧 2482.74.00090. 或 2480.21.00200.
- 螺栓根据 ISO 4762
M6×25 (1x), M8×25 (2x), M10×20 (2x)

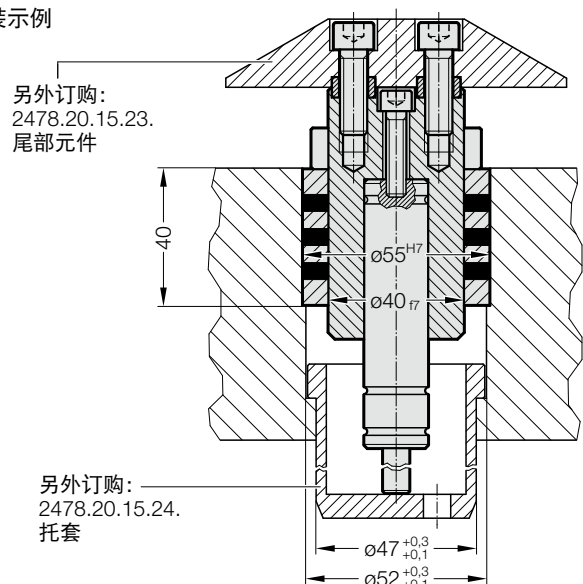
说明:

另外订购 (见安装实例)

- 2478.20.15.23.: 举升导向
- 2478.20.15.24.: 托套



安装示例



另外订购:
2478.20.15.23.
尾部元件

另外订购:
2478.20.15.24.
托套

2478.20.15.40. 通用的举升装置符合BMW标准

订购编号	d ₂	l	S _{工作行程}	S ₁	氮气弹簧
2478.20.15.40.14.009	19	64	9	25	2482.74.00090.010.2
2478.20.15.40.24.009	25	64	9	25	2480.21.00200.010
2478.20.15.40.14.14	19	68.5	13.5	29.5	2482.74.00090.015.2
2478.20.15.40.24.14	25	68.5	13.5	29.5	2480.21.00200.015
2478.20.15.40.14.23	19	77.5	22.5	38.5	2482.74.00090.025.2
2478.20.15.40.24.23	25	77.5	22.5	38.5	2480.21.00200.025
2478.20.15.40.14.034	19	89	34	50	2482.74.00090.038.2
2478.20.15.40.24.034	25	89	34	50	2480.21.00200.038
2478.20.15.40.14.040	19	100	40	56	2482.74.00090.050.2
2478.20.15.40.24.040	25	100	40	56	2480.21.00200.050
2478.20.15.40.14.045	19	100	45	61	2482.74.00090.050.2
2478.20.15.40.24.045	25	100	45	61	2480.21.00200.050
2478.20.15.40.14.050	19	113.5	50	66	2482.74.00090.063.2
2478.20.15.40.24.050	25	113.5	50	66	2480.21.00200.063
2478.20.15.40.14.054	19	113.5	54	70	2482.74.00090.063.2
2478.20.15.40.24.054	25	113.5	54	70	2480.21.00200.063
2478.20.15.40.14.59	19	113.5	58.5	74.5	2482.74.00090.063.2
2478.20.15.40.24.59	25	113.5	58.5	74.5	2480.21.00200.063
2478.20.15.40.14.065	19	130	65	81	2482.74.00090.080.2
2478.20.15.40.24.065	25	130	65	81	2480.21.00200.080
2478.20.15.40.14.070	19	130	70	86	2482.74.00090.080.2
2478.20.15.40.24.070	25	130	70	86	2480.21.00200.080

订购编号	d ₂	l	S _{工作行程}	S ₁	氮气弹簧
2478.20.15.40.14.075	19	130	75	91	2482.74.00090.080.2
2478.20.15.40.24.075	25	130	75	91	2480.21.00200.080
2478.20.15.40.14.080	19	150	80	96	2482.74.00090.100.2
2478.20.15.40.24.080	25	150	80	96	2480.21.00200.100
2478.20.15.40.14.085	19	150	85	101	2482.74.00090.100.2
2478.20.15.40.24.085	25	150	85	101	2480.21.00200.100
2478.20.15.40.14.090	19	150	90	106	2482.74.00090.100.2
2478.20.15.40.24.090	25	150	90	106	2480.21.00200.100
2478.20.15.40.14.095	19	150	95	111	2482.74.00090.100.2
2478.20.15.40.24.095	25	150	95	111	2480.21.00200.100
2478.20.15.40.14.100	19	175	100	116	2482.74.00090.125.2
2478.20.15.40.24.100	25	175	100	116	2480.21.00200.125
2478.20.15.40.14.105	19	175	105	121	2482.74.00090.125.2
2478.20.15.40.24.105	25	175	105	121	2480.21.00200.125
2478.20.15.40.14.110	19	175	110	126	2482.74.00090.125.2
2478.20.15.40.24.110	25	175	110	126	2480.21.00200.125
2478.20.15.40.14.115	19	175	115	131	2482.74.00090.125.2
2478.20.15.40.24.115	25	175	115	131	2480.21.00200.125
2478.20.15.40.14.120	19	175	120	136	2482.74.00090.125.2
2478.20.15.40.24.120	25	175	120	136	2480.21.00200.125