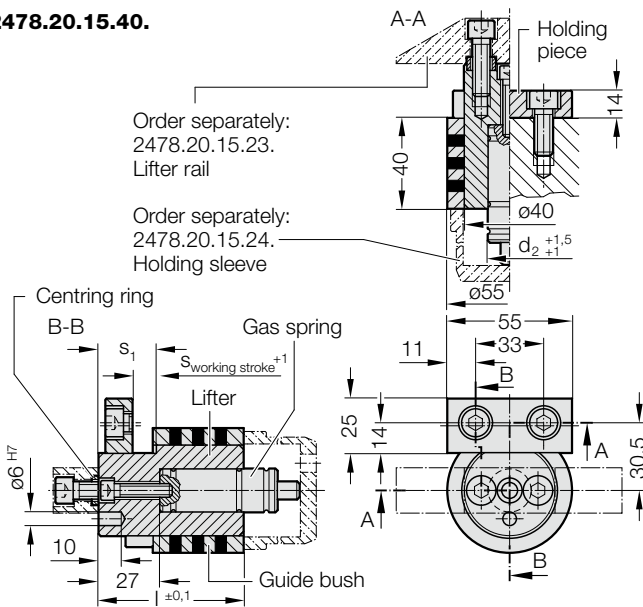


UNIVERSAL LIFTER UNIT, ACCORDING TO BMW STANDARD

2478.20.15.40.



Material:

Steel

Execution:

Universal lifter unit comprises:

- Lifter
- Screw clamp
- Centring rings
- Guide bush
- Gas spring 2482.74.00090. or 2480.21.00200.
- Socket cap screw according to ISO 4762
M6×25 (1x), M8×25 (2x), M10×20 (2x)

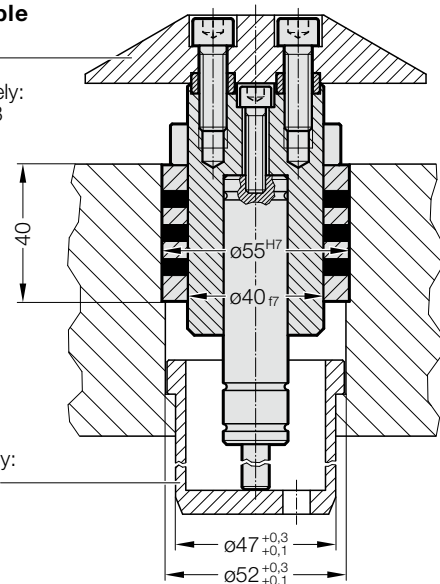
Note:

Order separately (see installation example)

- 2478.20.15.23.: Lifter rail
- 2478.20.15.24.: Holding sleeve

Mounting example

Order separately:
2478.20.12.23
Lifter rail



Order separately:
2478.20.15.24.
Holding sleeve

2478.20.15.40. Universal lifter unit, according to BMW standard

Order No	d ₂	l	s _{working stroke}	s ₁	Gas spring	Order No	d ₂	l	s _{working stroke}	s ₁	Gas spring
2478.20.15.40.14.009	19	64	9	25	2482.74.00090.010.2	2478.20.15.40.14.075	19	130	75	91	2482.74.00090.080.2
2478.20.15.40.24.009	25	64	9	25	2480.21.00200.010	2478.20.15.40.24.075	25	130	75	91	2480.21.00200.080
2478.20.15.40.14.14	19	68.5	13.5	29.5	2482.74.00090.015.2	2478.20.15.40.14.080	19	150	80	96	2482.74.00090.100.2
2478.20.15.40.24.14	25	68.5	13.5	29.5	2480.21.00200.015	2478.20.15.40.24.080	25	150	80	96	2480.21.00200.100
2478.20.15.40.14.23	19	77.5	22.5	38.5	2482.74.00090.025.2	2478.20.15.40.14.085	19	150	85	101	2482.74.00090.100.2
2478.20.15.40.24.23	25	77.5	22.5	38.5	2480.21.00200.025	2478.20.15.40.24.085	25	150	85	101	2480.21.00200.100
2478.20.15.40.14.034	19	89	34	50	2482.74.00090.038.2	2478.20.15.40.14.090	19	150	90	106	2482.74.00090.100.2
2478.20.15.40.24.034	25	89	34	50	2480.21.00200.038	2478.20.15.40.24.090	25	150	90	106	2480.21.00200.100
2478.20.15.40.14.040	19	100	40	56	2482.74.00090.050.2	2478.20.15.40.14.095	19	150	95	111	2482.74.00090.100.2
2478.20.15.40.24.040	25	100	40	56	2480.21.00200.050	2478.20.15.40.24.095	25	150	95	111	2480.21.00200.100
2478.20.15.40.14.045	19	100	45	61	2482.74.00090.050.2	2478.20.15.40.14.100	19	175	100	116	2482.74.00090.125.2
2478.20.15.40.24.045	25	100	45	61	2480.21.00200.050	2478.20.15.40.24.100	25	175	100	116	2480.21.00200.125
2478.20.15.40.14.050	19	113.5	50	66	2482.74.00090.063.2	2478.20.15.40.14.105	19	175	105	121	2482.74.00090.125.2
2478.20.15.40.24.050	25	113.5	50	66	2480.21.00200.063	2478.20.15.40.24.105	25	175	105	121	2480.21.00200.125
2478.20.15.40.14.054	19	113.5	54	70	2482.74.00090.063.2	2478.20.15.40.14.110	19	175	110	126	2482.74.00090.125.2
2478.20.15.40.24.054	25	113.5	54	70	2480.21.00200.063	2478.20.15.40.24.110	25	175	110	126	2480.21.00200.125
2478.20.15.40.14.59	19	113.5	58.5	74.5	2482.74.00090.063.2	2478.20.15.40.14.115	19	175	115	131	2482.74.00090.125.2
2478.20.15.40.24.59	25	113.5	58.5	74.5	2480.21.00200.063	2478.20.15.40.24.115	25	175	115	131	2480.21.00200.125
2478.20.15.40.14.065	19	130	65	81	2482.74.00090.080.2	2478.20.15.40.14.120	19	175	120	136	2482.74.00090.125.2
2478.20.15.40.24.065	25	130	65	81	2480.21.00200.080	2478.20.15.40.24.120	25	175	120	136	2480.21.00200.125
2478.20.15.40.14.070	19	130	70	86	2482.74.00090.080.2						
2478.20.15.40.24.070	25	130	70	86	2480.21.00200.080						