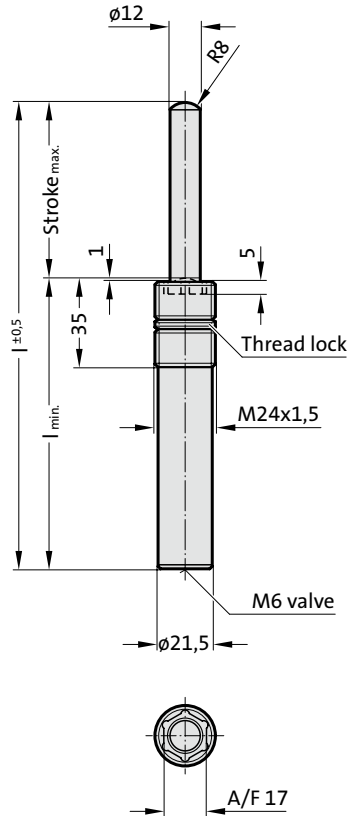


GAS SPRING (SPRING PLUNGER), WITH HEXAGON SOCKET, VDI 3004



2479.032.



Description:

Spring plungers are used as ejectors, damper pins, fixing and retaining pins in many sectors of the tool-, jig- and fixture-making industries. Assembly requires the use of special FIBRO insertion tool (2470.12.010.017).

Note:

Worn gas springs cannot be repaired, they have to be replaced completely.

Pressure medium: Nitrogen - N_2
 Max. filling pressure: 150 bar
 Min. filling pressure: 20 bar
 Working temperature: $0^\circ C$ to $+80^\circ C$
 Temperature related force increase: $\pm 0.3\%/^\circ C$
 Max. recommended extensions per minute: approx. 100 (at $20^\circ C$)
 Max. piston speed: 1.6 m/s

Upon customers request, also available unfilled, Order No 2479.032.00000....., Colour: black

²⁾ Hexagon nut order supplementary: 2479.004.024.15



2479.032. Gas spring (Spring plunger), with hexagon socket, VDI 3004

Spring type:

Order No*	Stroke _{max.}	l	l _{min.}	.00020.		.00040.		.00080.		.00170.	
				F _{initial} [daN]	F _{final} [daN]	F _{initial} [daN]	F _{final} [daN]	F _{initial} [daN]	F _{final} [daN]	F _{initial} [daN]	F _{final} [daN]
2479.032.□□□□□.010	10	65	55	23	33.1	45	64.8	85	122.4	170	244.8
2479.032.□□□□□.020	20	85	65	23	36.3	45	71.1	85	134.3	170	256.6
2479.032.□□□□□.030	30	105	75	23	38.2	45	74.7	85	141.1	170	282.2
2479.032.□□□□□.040	40	125	85	23	39.3	45	46.9	85	145.4	170	290.7
2479.032.□□□□□.050	50	145	95	23	42.5	45	83.2	85	157.3	170	314.5
2479.032.□□□□□.060	60	165	105	23	42.5	45	83.2	85	157.3	170	314.5
2479.032.□□□□□.070	70	185	115	23	42.8	45	83.7	85	158.1	170	316.2
2479.032.□□□□□.080	80	205	125	23	42.8	45	83.7	85	158.1	170	316.2
2479.032.□□□□□.100	100	245	145	23	43	45	84.1	85	159	170	318
2479.032.□□□□□.125	125	295	170	23	43	45	84.1	85	159	170	318

*complete with spring type

Spring force marking:

Spring type - Pressure [bar] - Colour:

.00020. - 20 - green

.00040. - 40 - blue

.00080. - 75 - red

.00170. - 150 - yellow

