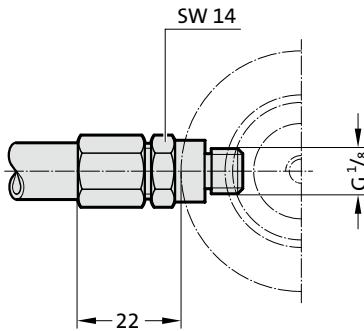


GAS SPRING ACCESSORIES

COMPRESSION FITTING – COMPOUND THREADED JOINTS

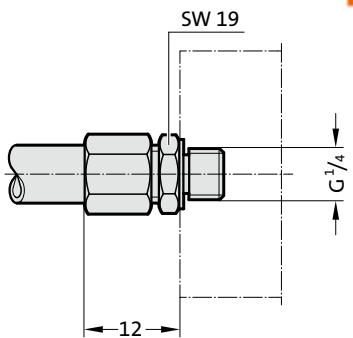
2480.00.10.01

Direct test connection to gas spring



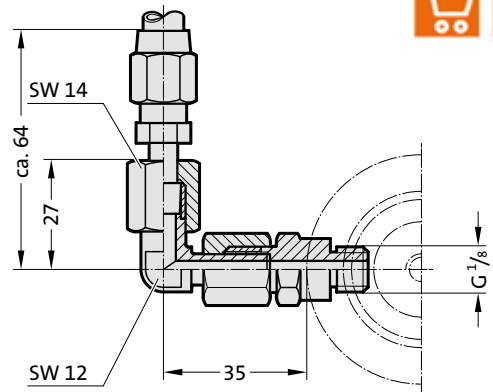
2480.00.10.03

Direct test connection to control fitting



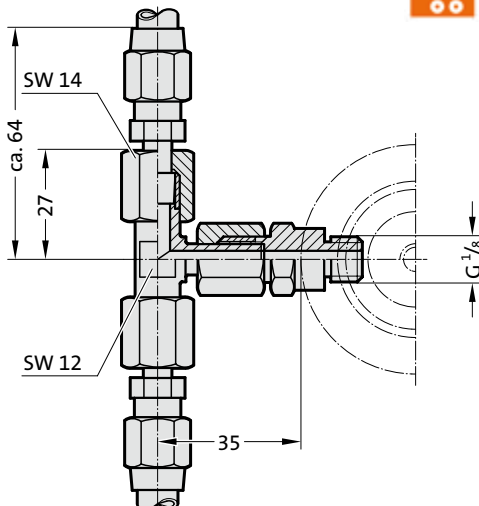
2480.00.10.10

Adjustable angular coupling



2480.00.10.11

Adjustable T-Coupling



2480.00.10.12

Adjustable L-Coupling

