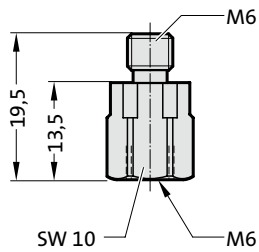


GAS SPRING ACCESSORIES CONNECTOR SYSTEM, MICRO

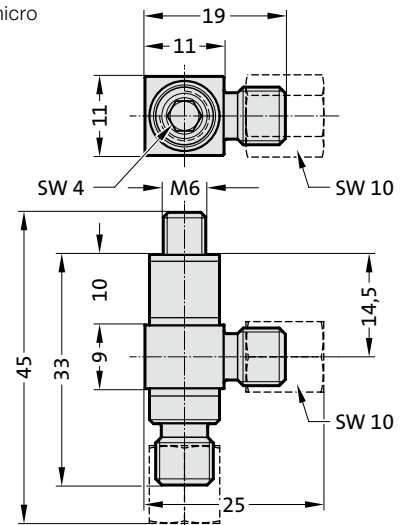
2480.00.22.06.06

Screw connection, GE-M6-M6 micro for connection to gas spring with split clamping flange 2480.022.



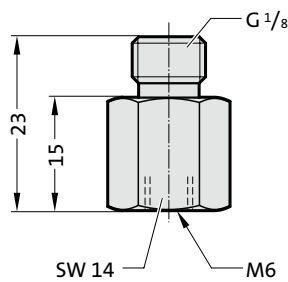
2480.00.28.15

Screw connection, L-24° conus micro



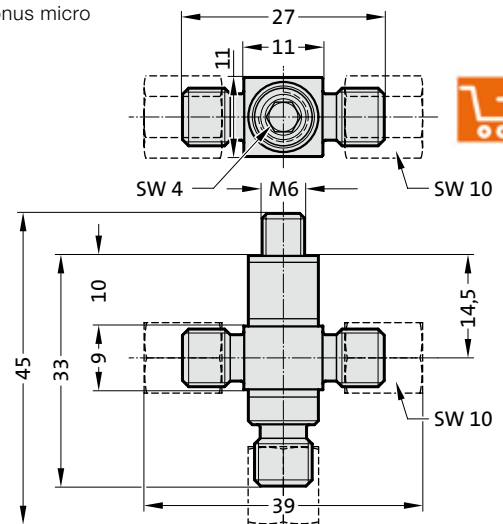
2480.00.22.18.06

Screw connection, GE-G^{1/8}-M6 micro for 2480.00.28.14 / 2480.00.28.17



2480.00.28.16

Screw connection, K-24° conus micro



2480.00.22.14.06

Screw connection, GE-G^{1/4}-M6 micro for 2480.00.28.14 / 2480.00.28.17

