

GAS SPRING ACCESSORIES

MINIMESS – COMPOUND THREADED JOINTS

Gauging coupling

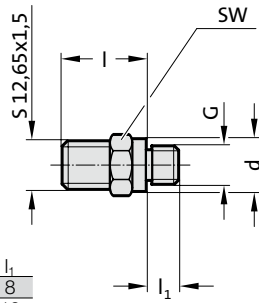
2480.00.24.01 with valve

**2480.00.24.03 without valve
for connection to gas springs**

Gauging coupling

2480.00.24.02 with valve

**2480.00.24.04 without valve
for connection to control fitting**



Order No.	G	d	SW	l	l ₁
2480.00.24.01	G 1/8	14	14	22	8
2480.00.24.02	G 1/4	19	19	21	10
2480.00.24.03	G 1/8	14	14	22	8
2480.00.24.04	G 1/4	19	19	21	10

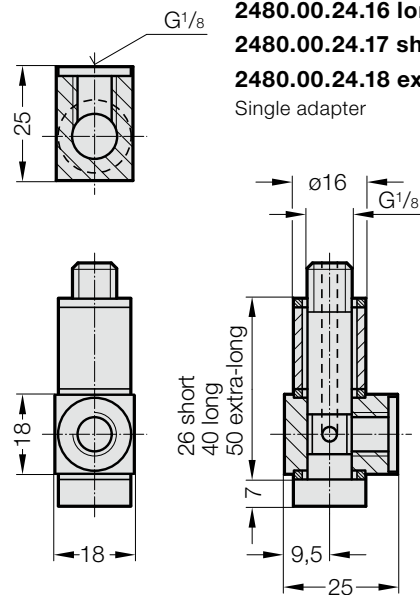
*SW = Width across flats

Note:

The measuring coupling with valve is used for standard assembly layouts. Where the system requires frequent filling pressure changes (e.g. die drawing cushions), the measuring coupling is used without a valve.



2480.00.24.16 long
2480.00.24.17 short
2480.00.24.18 extra-long
Single adapter

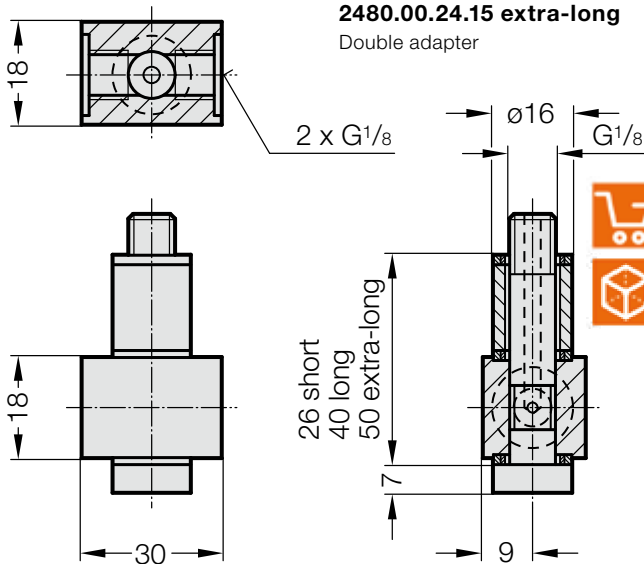


2480.00.24.13 long

2480.00.24.14 short

2480.00.24.15 extra-long

Double adapter



2480.00.24.10 long

2480.00.24.11 short

2480.00.24.12 extra-long

Multiple adapter

