



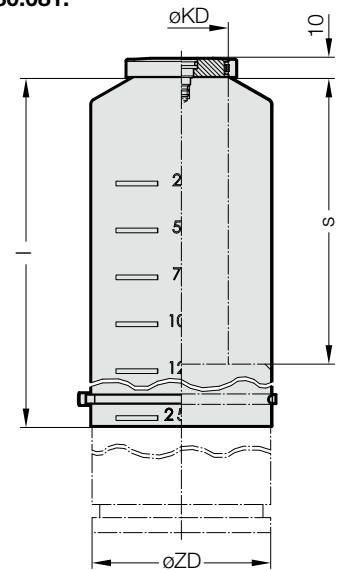
PISTON ROD PROTECTION, FIBRO-TEX®



Mounting example



2480.081.



Description:

The FIBRO-TEX® protects the piston rod of the gas spring against negative influences, such as:

- drawing in dirt
- damage to the surface of the piston rod
- adhesion of dirt particles
- drawing in oil and/or emulsion

The FIBRO-TEX® breathable material doesn't require additional ventilation.

Due to the piston rod protection, FIBRO-TEX®, increases the lifetime of the gas spring under rough operating conditions.

Note:

Included with this part number is the piston rod protection FIBRO-TEX®, with the necessary washer with screw and o-ring, preassembled with cable ties (to piston rod), cable tie (for gas spring housing) is added separately. The piston rod protection has a length of 250 mm. The length of the piston rod protection is shortened individually to the stroke length of the gas spring.

Technical data:

Material:	Piston rod protection:	Polytetrafluoroethylene (ePTFE)
	Washer:	Steel, burnished
	Cable tie (piston rod side):	Polyamide
	Cable tie (cylinder tube side):	Polyamide
Working temperature:		0°C - 80°C
Temperature resistance:		-35°C - 200°C
Chemical resistance:	Acids:	very good
	Alkalines:	very good
	Solvent:	very good
Weather-resistance:	Sunlight (UV):	very good
	Ozone:	very good
	Water:	very good
Oil resistance:	mineral:	very good
	synthetic:	very good

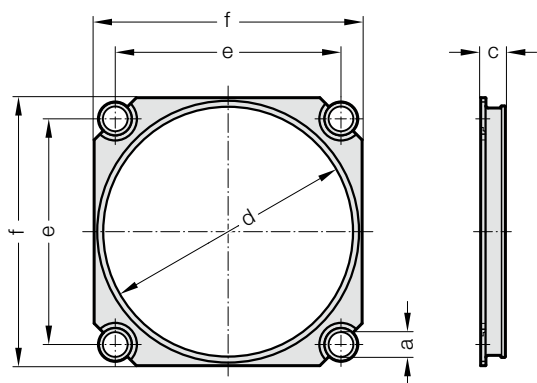
2480.081. Piston rod protection, FIBRO-TEX®

Type of gas spring	2480.13.03000.	2489.14.01500.	2484.13.03000.	2488.13.04200.	2487.12.04200.	2487.12.33.04200.	2480.13.05000.	2489.14.03000.	2484.13.05000.	2488.13.06600.	2487.12.06600.	2487.12.33.06600.	2480.13.07500.	2484.13.07500.	2488.13.09500.	2487.12.09500.	2489.14.05000.
Order No	øKD	øZD	s	l													
2480.081.095.050.250	50	95	10 - 250	250	•	•	•										
2480.081.095.060.250	60	95	10 - 250	250				•	•	•							
2480.081.120.065.250	65	120	10 - 250	250					•	•	•						
2480.081.120.075.250	75	120	10 - 250	250							•	•	•				
2480.081.150.065.250	65	150	10 - 250	250													•
2480.081.150.075.250	75	150	10 - 250	250											•	•	
2480.081.150.090.250	90	150	10 - 250	250												•	•

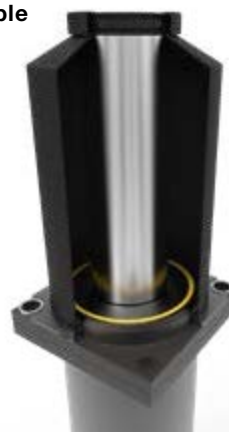
RETAINING PLATE FOR SADDLE FLANGE CABLE TIE PLIERS



2480.081.00.057.



Mounting example



2480.081.00.057. Retaining plate for saddle flange

Order No	Tube- ϕ	a	c	d	e	f
2480.081.00.057.095	95	12	12	96.2	92	110
2480.081.00.057.120	120	12	12	121.2	109.5	130
2480.081.00.057.150	150	16	11	151.2	138	162

Description:

When the gas spring is mounted with a saddle flange, an additional retainer plate can be used. The retainer plate is mounted on the upper side of the saddle flange with fastening screws.

Material:

Retainer plate: Plastic Discs: Steel

Attention:

The retainer plate is determined by the cylinder tube diameter of the gas spring.

2480.081.00.007 Cable tie pliers



Description:

We recommend to use a cable tie plier (tong) to mount the cable ties

Note:

Order Number for spare part cable ties
2480.081.00.006.1 (piston rod)
2480.081.00.006.2 (gas spring housing)

Minimum tensile strength:	220 up to 540 N
Cable tie width:	4,8 up to 7,6 mm
Stroke length:	25,4 mm