

GAS SPRING, STANDARD

Note:

Initial spring force at 150 bar = 1500 daN

Order No for spare parts kit: 2480.12.01500
 Order No for spare parts kit: to Renault standard EM24.54.700 2480.12.01500.R

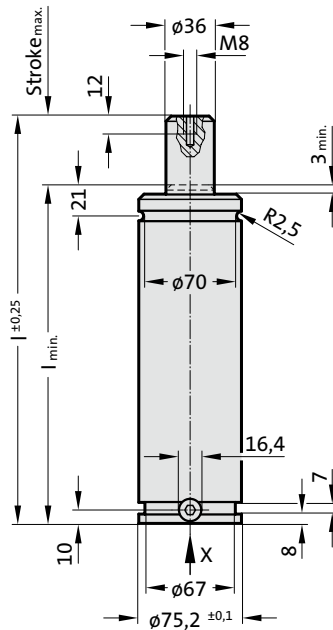
Gas spring without valve
 Order No (example): 2480.13.01500. .P

Gas spring to Renault standard EM24.54.700
 Order No (example): 2480.12.01500. .R
 Gas spring to Renault standard EM24.54.700 without valve
 Order No (example): 2480.13.01500. .R.P

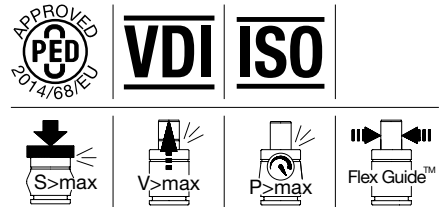
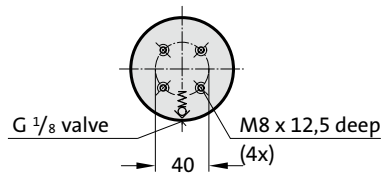
1) Special stroke lengths
 Not for gas springs to Renault Standard EM24.54.700.

Pressure medium: Nitrogen N₂
 Max. filling pressure: 150 bar
 Min. filling pressure: 25 bar
 Working temperature: 0°C to +80°C
 Temperature related force increase: ± 0.3%/°C
 Max. recommended extensions per minute: approx. 15 to 40 (at 20°C)
 Max. piston speed: 1.6 m/s for 2480.R: 2.0 m/s

2480.12.01500.



View X - Gas spring

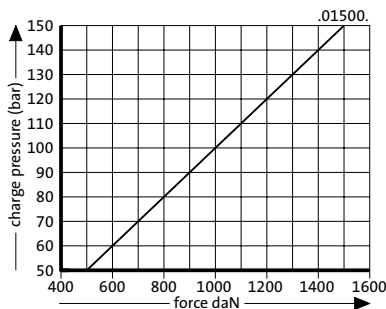


2480.12.01500.

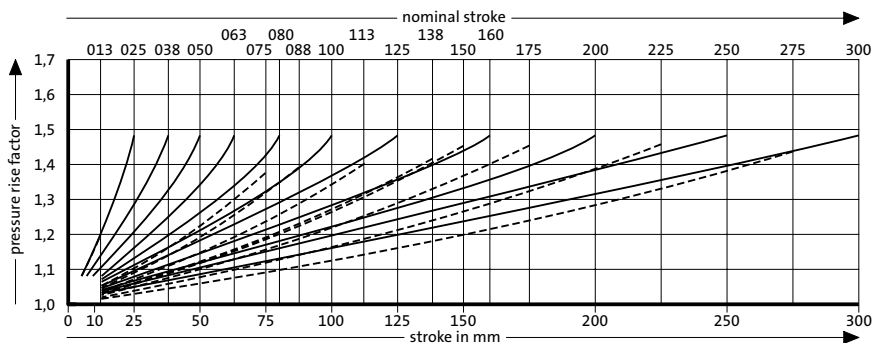
Gas spring, Standard

Order No	Stroke _{max.} (s)	l _{min.}	l
2480.12.01500.013 1)	12.7	122.3	135
2480.12.01500.025	25	135	160
2480.12.01500.038	38.1	148.1	186.2
2480.12.01500.050	50	160	210
2480.12.01500.063	63.5	173.5	237
2480.12.01500.075 1)	75	185	260
2480.12.01500.080	80	190	270
2480.12.01500.088 1)	87.5	197.5	285
2480.12.01500.100	100	210	310
2480.12.01500.113 1)	112.5	222.5	335
2480.12.01500.125	125	235	360
2480.12.01500.138 1)	137.5	247.5	385
2480.12.01500.150 1)	150	260	410
2480.12.01500.160	160	270	430
2480.12.01500.175 1)	175	285	460
2480.12.01500.200	200	310	510
2480.12.01500.225 1)	225	335	560
2480.12.01500.250	250	360	610
2480.12.01500.275	275	385	660
2480.12.01500.300	300	410	710

Initial spring force versus charge pressure



Spring force Diagram displacement versus stroke rise



Pressure rise factor accounts for displacement but not external influences!