

GAS SPRING, STANDARD

Note:

Initial spring force at 150 bar = 750 daN

Order No for spare parts kit: 2480.13.00750
 Order No for spare parts kit: to Renault standard EM24.54.700 2480.13.00750.R

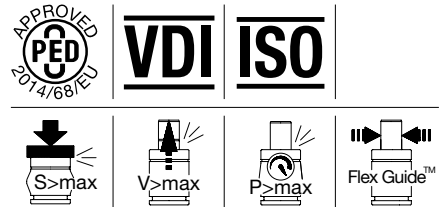
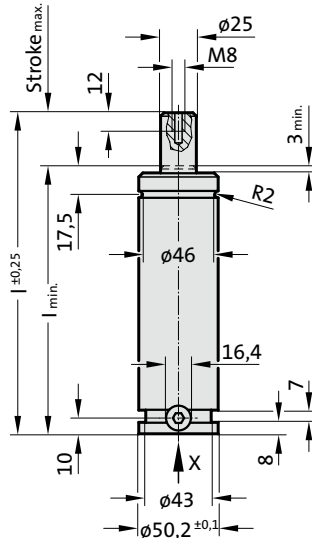
Gas spring without valve
 Order No (example): 2480.13.00750. .P

Gas spring to Renault standard EM24.54.700
 Order No (example): 2480.13.00750. .R
 Gas spring to Renault standard EM24.54.700 without valve
 Order No (example): 2480.13.00750. .R.P

1) Special stroke lengths
 Not for gas springs to Renault Standard EM24.54.700.

Pressure medium: Nitrogen N₂
 Max. filling pressure: 150 bar
 Min. filling pressure: 25 bar
 Working temperature: 0°C to +80°C
 Temperature related force increase: ± 0.3%/°C
 Max. recommended extensions per minute: approx. 15 to 40 (at 20°C)
 Max. piston speed: 1.6 m/s for 2480.R: 2.0 m/s

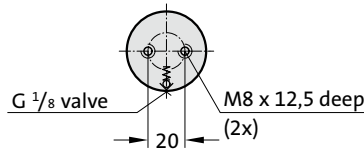
2480.13.00750.



2480.13.00750.

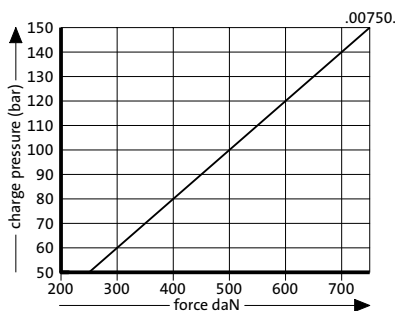
Gas spring, Standard

View X - Gas spring

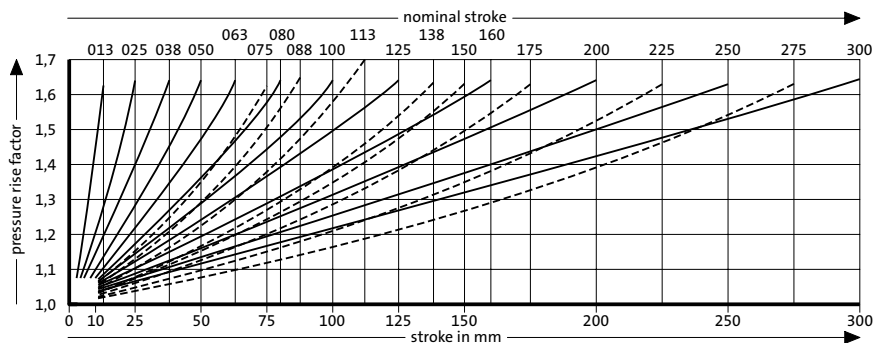


Order No	Stroke _{max.} (s)	l _{min.}	l
2480.13.00750.013	12.7	107.7	120.4
2480.13.00750.025	25	120	145
2480.13.00750.038	38.1	133.1	171.2
2480.13.00750.050	50	145	195
2480.13.00750.063	63.5	158.5	222
2480.13.00750.075 1)	75	170	245
2480.13.00750.080	80	175	255
2480.13.00750.088 1)	87.5	182.5	270
2480.13.00750.100	100	195	295
2480.13.00750.113 1)	112.5	207.5	320
2480.13.00750.125	125	220	345
2480.13.00750.138 1)	137.5	232.5	370
2480.13.00750.150 1)	150	245	395
2480.13.00750.160	160	255	415
2480.13.00750.175 1)	175	270	445
2480.13.00750.200	200	295	495
2480.13.00750.225 1)	225	320	545
2480.13.00750.250	250	345	595
2480.13.00750.275	275	370	645
2480.13.00750.300	300	395	695

Initial spring force versus charge pressure



Spring force Diagram displacement versus stroke rise



Pressure rise factor accounts for displacement but not external influences!