

GAS SPRING, STANDARD

Note:

Initial spring force at 150 bar = 3000 daN

Order No for spare parts kit: 2480.13.03000
 Order No for spare parts kit: to Renault standard EM24.54.700 2480.13.03000.R

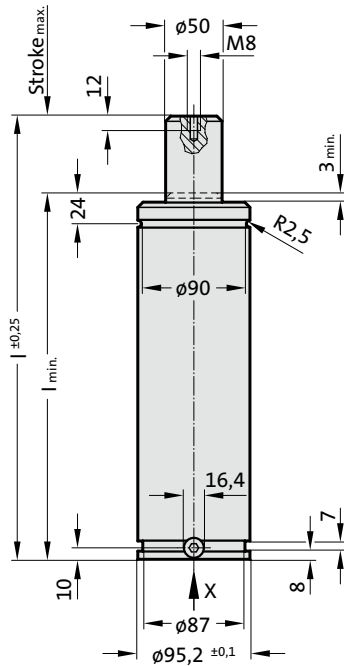
Gas spring without valve
 Order No (example): 2480.13.03000. .P

Gas spring to Renault standard EM24.54.700
 Order No (example): 2480.13.03000. .R
 Gas spring to Renault standard EM24.54.700 without valve
 Order No (example): 2480.13.03000. .R.P

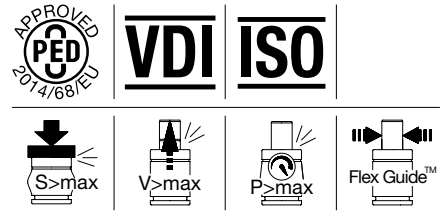
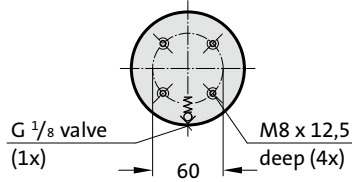
1) Special stroke lengths
 Not for gas springs to Renault Standard EM24.54.700.

Pressure medium: Nitrogen N₂
 Max. filling pressure: 150 bar
 Min. filling pressure: 25 bar
 Working temperature: 0°C to +80°C
 Temperature related force increase: ± 0.3%/°C
 Max. recommended extensions per minute: approx. 15 to 40 (at 20°C)
 Max. piston speed: 1.6 m/s for 2480.R: 2.0 m/s

2480.13.03000.



View X - Gas spring

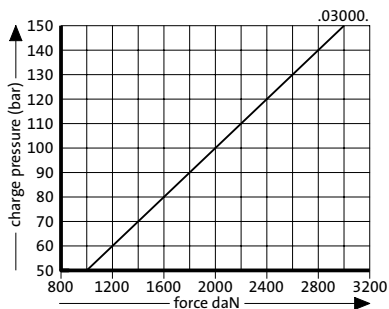


2480.13.03000.

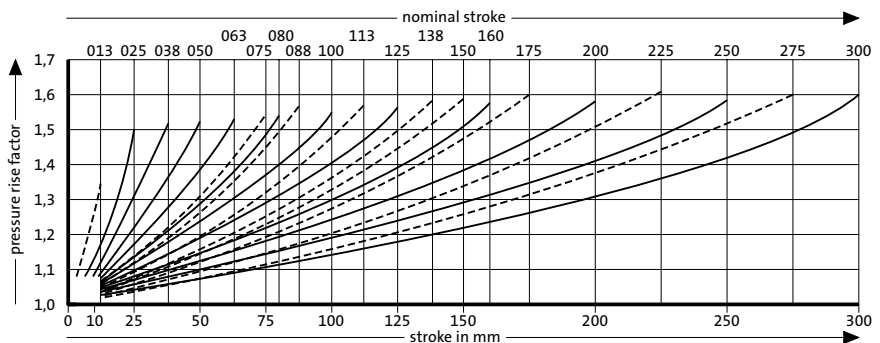
Gas spring, Standard

Order No	Stroke _{max.} (s)	l _{min.}	l
2480.13.03000.013 1)	12.7	132.3	145
2480.13.03000.025	25	145	170
2480.13.03000.038	38.1	158.1	196.2
2480.13.03000.050	50	170	220
2480.13.03000.063	63.5	183.5	247
2480.13.03000.075 1)	75	195	270
2480.13.03000.080	80	200	280
2480.13.03000.088.11)	87.5	207.5	295
2480.13.03000.100	100	220	320
2480.13.03000.113 1)	112.5	232.5	345
2480.13.03000.125	125	245	370
2480.13.03000.138 1)	137.5	257.5	395
2480.13.03000.150 1)	150	270	420
2480.13.03000.160	160	280	440
2480.13.03000.175 1)	175	295	470
2480.13.03000.200	200	320	520
2480.13.03000.225 1)	225	345	570
2480.13.03000.250	250	370	620
2480.13.03000.275 1)	275	395	670
2480.13.03000.300	300	420	720

Initial spring force versus charge pressure



Spring force Diagram displacement versus stroke rise



Pressure rise factor accounts for displacement but not external influences!