

GAS SPRING, STANDARD

Note:

Initial spring force at 150 bar = 5000 daN

Order No for spare parts kit: 2480.13.05000
 Order No for spare parts kit: to Renault standard EM24.54.700 2480.13.05000.R

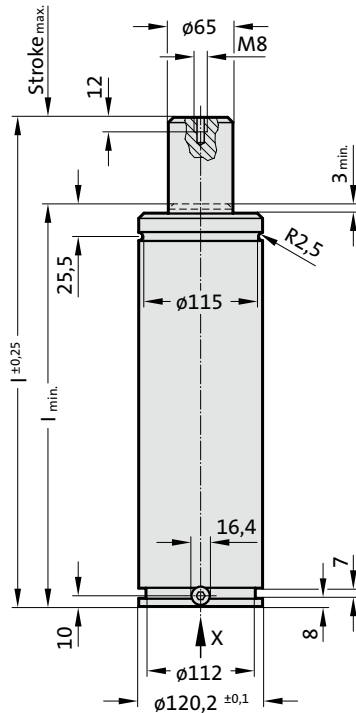
Gas spring without valve
 Order No (example): 2480.13.05000. .P

Gas spring to Renault standard EM24.54.700
 Order No (example): 2480.13.05000. .R
 Gas spring to Renault standard EM24.54.700 without valve
 Order No (example): 2480.13.05000. .R.P

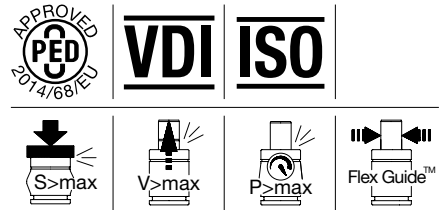
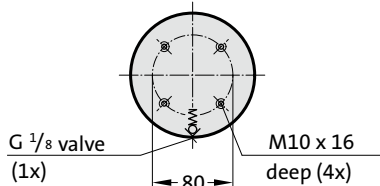
1) Special stroke lengths
 Not for gas springs to Renault Standard EM24.54.700.

Pressure medium: Nitrogen N₂
 Max. filling pressure: 150 bar
 Min. filling pressure: 25 bar
 Working temperature: 0°C to +80°C
 Temperature related force increase: ± 0.3%/°C
 Max. recommended extensions per minute: approx. 15 to 40 (at 20°C)
 Max. piston speed: 1.6 m/s
 for 2480.R: 2.0 m/s

2480.13.05000.



View X - Gas spring

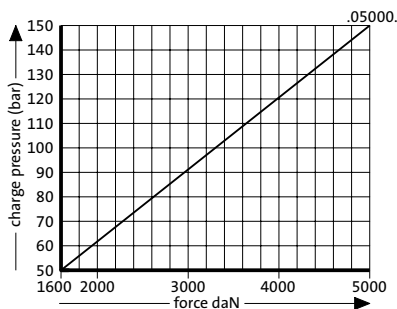


2480.13.05000.

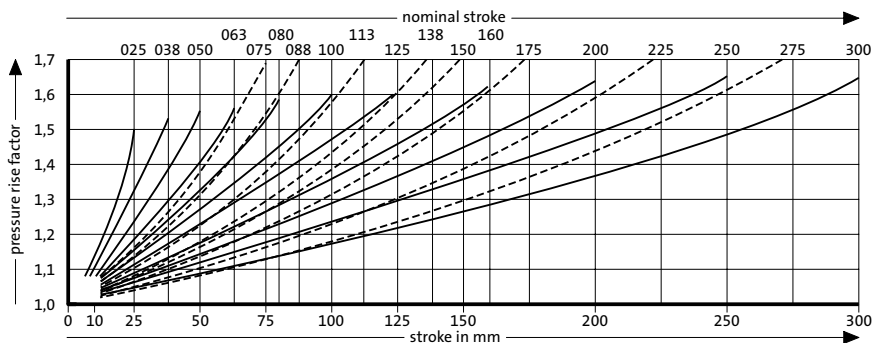
Gas spring, Standard

Order No	Stroke _{max.} (s)	l _{min.}	l
2480.13.05000.025	25	165	190
2480.13.05000.038	38.1	178.1	216.2
2480.13.05000.050	50	190	240
2480.13.05000.063	63.5	203.5	267
2480.13.05000.075 1)	75	215	290
2480.13.05000.080	80	220	300
2480.13.05000.088 1)	87.5	227.5	315
2480.13.05000.100	100	240	340
2480.13.05000.113 1)	112.5	252.5	365
2480.13.05000.125	125	265	390
2480.13.05000.138 1)	137.5	277.5	415
2480.13.05000.150 1)	150	290	440
2480.13.05000.160	160	300	460
2480.13.05000.175 1)	175	315	490
2480.13.05000.200	200	340	540
2480.13.05000.225 1)	225	365	590
2480.13.05000.250	250	390	640
2480.13.05000.275 1)	275	415	690
2480.13.05000.300	300	440	740

Initial spring force versus charge pressure



Spring force Diagram displacement versus stroke rise



Pressure rise factor accounts for displacement but not external influences!